

HP | MANUALLY OPERATED PUMPS - ALUMINIUM

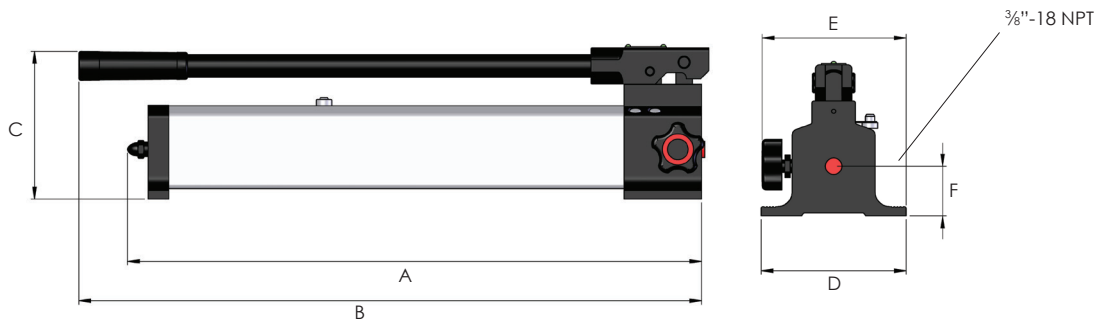


Two stage operation

Working pressure 700 bar

Six models with choice of control valve

- ▶ Oil reservoir capacity up to 5 litres
- ▶ Lightweight aluminium construction with external pressure release valve and factory set safety relief valve
- ▶ Changeover pressure is 14 bar
- ▶ Low handle effort and ergonomic grip for easy operation



| Model number | Valve type | Displacement per stroke (cm ³) | | Usable oil capacity (litres) | Handle effort (kg) | Weight (kg) | Dimensions (mm) | | | | | |
|---|------------|--|-----------------------|------------------------------|--------------------|-------------|-----------------|-----|-----|-----|-----|----|
| | | 1 st stage | 2 nd stage | | | | A | B | C | D | E | F |
| Two stage hand operated pumps for single acting cylinders and tools | | | | | | | | | | | | |
| HP211 | 2-way | 12.9 | 1 | 0.5 | 27 | 2.0 | 335 | 388 | 135 | 100 | 125 | 40 |
| HP212 | 2-way | 12.9 | 2.3 | 1 | 40 | 4.0 | 560 | 610 | 140 | 100 | 125 | 40 |
| HP232 | 2-way | 12.9 | 2.3 | 2 | 40 | 6.9 | 560 | 610 | 160 | 140 | 155 | 50 |
| HP252 | 2-way | 12.9 | 2.3 | 5 | 40 | 9.6 | 585 | 610 | 160 | 168 | 145 | 50 |
| Two stage hand operated pumps for double acting cylinders and tools | | | | | | | | | | | | |
| HP232D | 4-way | 12.9 | 2.3 | 2 | 40 | 8.7 | 580 | 625 | 160 | 140 | 175 | 30 |
| HP252D | 4-way | 12.9 | 2.3 | 5 | 40 | 13.6 | 605 | 625 | 160 | 168 | 175 | 30 |