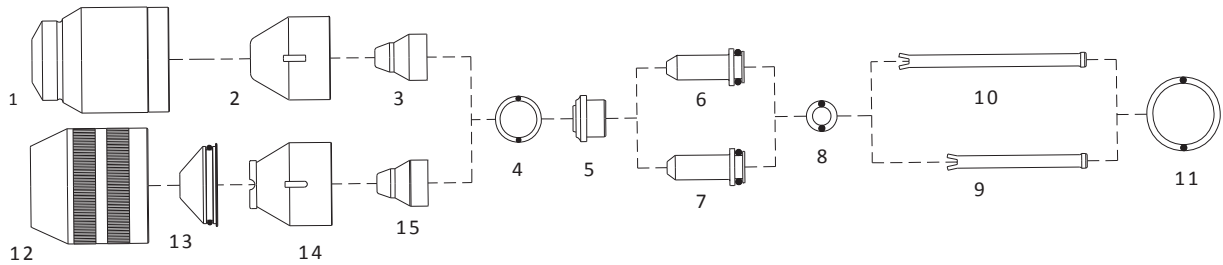


KJELLBERG®

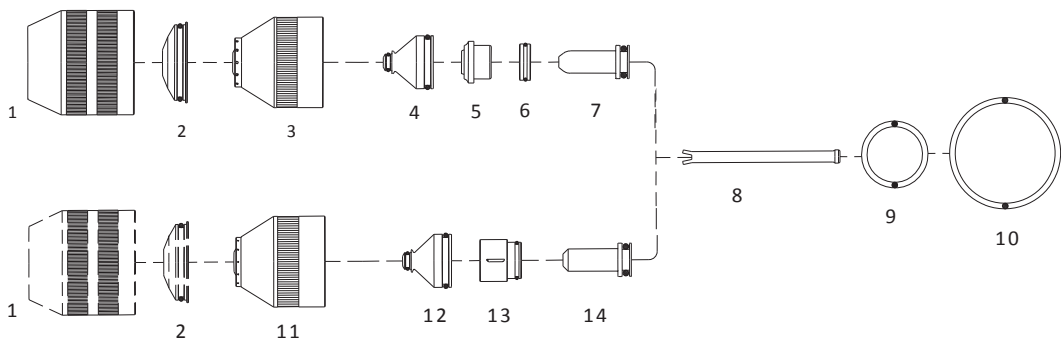
PA-S47CNC® - FineFocus 450®
 PB-S20W/WH® PB-S25W/WH®
 PB-S40W/WH® PB-S45W/WH®
 PB-S45W/WH-1®
 PZ-S45W®



No.	Ref.	Code	Description	No.	Ref.	Code	Description
1	.11.828.101.160	60359	Shield cap	9	.11.828.001.152	60366	Cooling tube
2	.11.830.301.151	60357	Retaining cap ϕ 9.6	10	.11.832.201.152	60366B	Cooling tube
3	.11.828.203.410	51594	Nozzle L1e ϕ 1.0, Air	11	.10.575.052	60365.41	O-Ring Silicone
	.11.828.203.413	51595	Nozzle Lde ϕ 1.3, Air	12	.11.832.201.081	60560	Shield cap
	.11.828.203.414	51596	Nozzle Lee ϕ 1.4, Air	13	.11.832.201.1571	60562	Shield ϕ 4.0
4	.10.575.036	60066.41	O-Ring Silicone		.11.832.201.1561	60562.30	Shield ϕ 3.0
5	.11.828.001.153	60066	Swirl ring Z111	14	.11.832.201.160	60570	Retaining cap
6	.11.828.001.3001	52705	Electrode Kb, Air, XF	15	.11.834.321.410	51656.10	Nozzle L1e-XI ϕ 1.0, O ₂
7	.11.834.321.3001	52708AG	Electrode Kb, Silver		.11.834.321.413	51657.13	Nozzle Lde-XI ϕ 1.3, O ₂
8	.10.505.827	20705.40	O-Ring Silicone		.11.834.321.414	51657.14	Nozzle Lee-XI ϕ 1.4, O ₂

KJELLBERG®

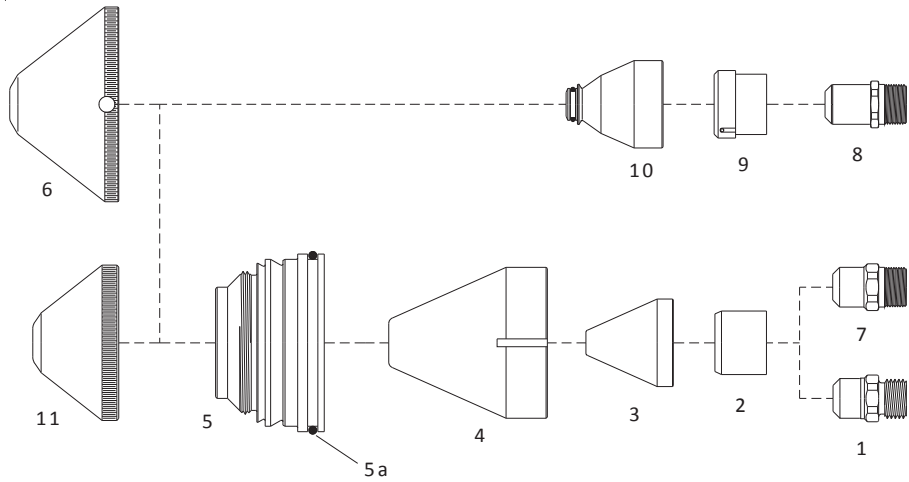
PERCUT 100®



No.	Ref.	Code	Description	No.	Ref.	Code	Description
1	.11.835.201.081	60561	Shield cap Z501	5	.11.828.001.153	60066	Swirl ring Z111
2	.11.835.201.1561	60565	Shield ϕ 1.5 Z4015	6	.11.835.421.303	60064	Spacer ring
	.11.835.201.1571	60566	Shield ϕ 2.0 Z4020	7	.11.835.421.3101	52707AG	Electrode O ₂ XI Z012 Silver
	.11.835.201.1581	60566.25	Shield ϕ 2.5 Z4025	8	.11.835.201.152	60366C	Cooling tube
	.11.835.201.1591	60566.30	Shield ϕ 3.0 Z4030	9	.10.575.052	60365.41	O-Ring Silicone
	.11.835.401.1571	60567	Shield ϕ 4.0 Z4140	10	.10.505.946	60365.42	O-Ring Silicone
3	.11.835.201.162	60573	Retaining cap ϕ 0.8 Z3008	11	.11.835.201.160	60572	Retaining cap ϕ 0.4 Z3004
4	.11.835.221.406	51620.06	Nozzle ϕ 0.6 O ₂ Z2006	12	.11.835.421.412	51621.12	Nozzle ϕ 1.2 O ₂ Z2112
	.11.835.221.407	51620.07	Nozzle ϕ 0.7 O ₂ Z2007		.11.835.421.414	51621.14	Nozzle ϕ 1.4 O ₂ Z2114
	.11.835.221.408	51620.08	Nozzle ϕ 0.8 O ₂ Z2008	13	.11.835.221.153	60065	Swirl ring Z101
	.11.835.221.409	51620.09	Nozzle ϕ 0.9 O ₂ Z2009	14	.11.835.221.3101	52706AG	Electrode O ₂ XI Z002 Silver
	.11.835.221.410	51620.10	Nozzle ϕ 1.0 O ₂ Z2010				
	.11.835.221.411	51620.11	Nozzle ϕ 1.1 O ₂ Z2011				
	.11.835.221.412	51620.12	Nozzle ϕ 1.2 O ₂ Z2012				

KJELLBERG®

PA-50®
 PA-S75®
 PA-S76®
 PB-S77®
 FINEFOCUS 800®
 FINEFOCUS 900®
 FINEFOCUS 1600®



No.	Ref.	Code	Description	No.	Ref.	Code	Description
1	.12.40870	52700XF	Electrode K2 Air	—	.11.833.101.159	60595.60	Shield cap ø 6.0 V4360
—	.11.828.921.300	52700AG	Electrode K2 XL Silver	7	—	52702AG	Electrode K3 XL Silver
2	.12.40860	60067	Swirl ring Teflon	8	.11.836.921.300	52703AG	Electrode T012 Silver
3	.11.828.901.414	51306XF	Nozzle L3 XL O ₂ 120A	9	.11.836.921.154	60069	Swirl ring T102 Teflon
—	.11.828.901.420	51307XF	Nozzle L1 XL O ₂ 160A	—	.11.836.921.153	60070	Swirl ring T101 Teflon
—	.11.828.901.425	51308XF	Nozzle L2 XL O ₂ 250A	10	.11.836.921.420	51303	Nozzle T2120 200A
4	.12.37790	60364	Conical retaining cap ø 38	—	.11.836.921.425	51304	Nozzle T2125 250A
5	.11.833.101.271	60590	Nozzle fiberglass	—	.11.836.921.427	51305	Nozzle T2127 300A
5a	.10.505.961	60590.41	O-Ring Silicone	11	.11.833.111.155	60594.30	Shield cap ø 3.0 V4530
6	.11.833.101.150	60595.30	Shield cap ø 3.0 V4330	—	.11.833.111.156	60594.40	Shield cap ø 4.0 V4540
—	.11.833.101.155	60595.35	Shield cap ø 3.5 V4335	—	—	60594.45	Shield cap ø 4.5 V4545
—	.11.833.101.156	60595.40	Shield cap ø 4.0 V4340	—	.11.833.111.158	60594.50	Shield cap ø 5.0 V4550
—	.11.833.101.157	60595.45	Shield cap ø 4.5 V4345	—	.11.833.111.159	60594.60	Shield cap ø 6.0 V4560
—	.11.833.101.158	60595.50	Shield cap ø 5.0 V4350				