

SPS 150/PP



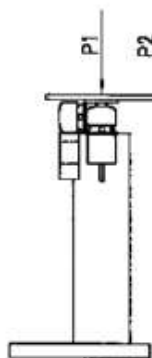
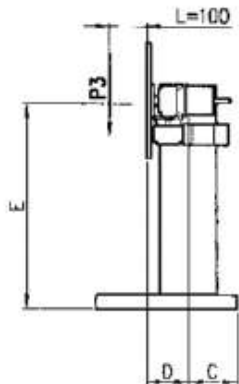
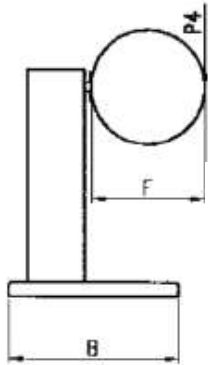
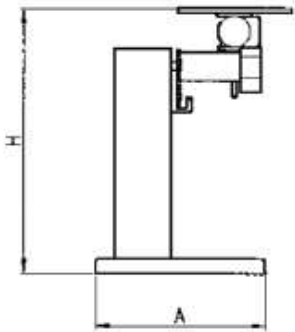
SPS 150 HC 200



## ROTATING BOARD LOCATOR WITH MANUAL INCLINATION

This rotating-table positioner has been developed to meet the high standards of quality and stability now requested by the market. To achieve these results, two reducers coupled to a permanent-magnet motor are used, ensuring constant torque for the entire cycle. Rotation speed is controlled by electronic circuitry and a potentiometer to guarantee smooth and continuous movement. The electrical panel, complete with all controls for both manual and semiautomatic operation, has been designed to ensure that operators can easily learn to use it. Tilt angle is adjusted manually, allowing the table to be locked in the best possible position for the job in hand, guaranteeing safe and stable fixing.

The Serie SPS/S offers all the features of the previous version together with the possibility of installing two welders and an electropneumatic device for positioning the torch. An end-of-travel stop with overlap adjustable electronically from the control panel is also provided, with return to the starting point.



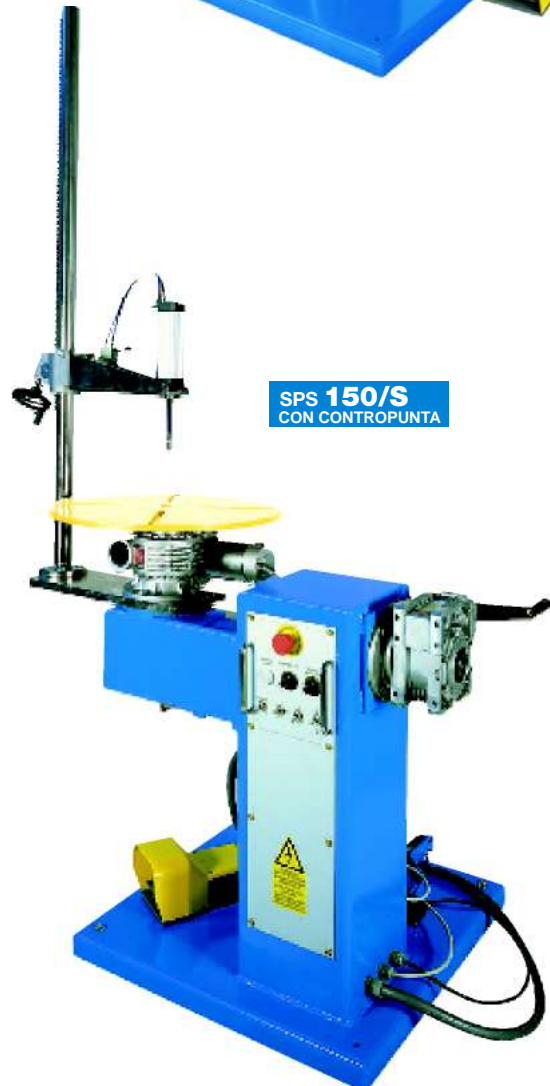
**SPS 75/S** CON BRACCIO PNEUMATICO



**SPS 150/S** CON BRACCIO PNEUMATICO



**SPS 75/S** CON CONTROPUNTA



**SPS 150/S** CON CONTROPUNTA

**SPS 30**



**SPS 50 HC**



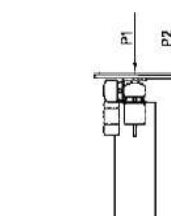
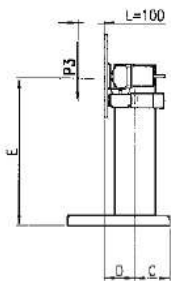
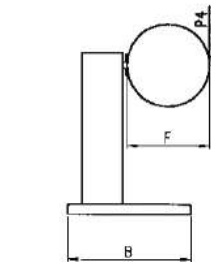
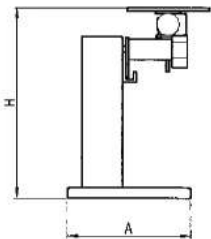
**SPS 50**



Optional giri 0,4-4,0 RPM

Optional volt 110

DATI DONNES DATA DATEN DATOS	A	B	C	F ø mm	E	D	H	VOLT VOLTS/VOLTS VOLT/VOLTIOS	GIRI TR/MIN RPM UpM R.P.M.	P1 Kg	P2 Kg	MF. Kgm	P3 Kg	P4 Kg	MT. Kgm	PESO Kg POIDS/WEIGHT GEWICHT/PESO				
<b>SPS 30</b>	330	330	300	250	275	55	435	220	0,5-10	30	11	3	12	3	3	26				
<b>SPS 50</b>				300												5	20	4	4	29
<b>SPS 50 HC</b>				300												16	4	4	30	



**SPS 70**



**SPS 70/S**

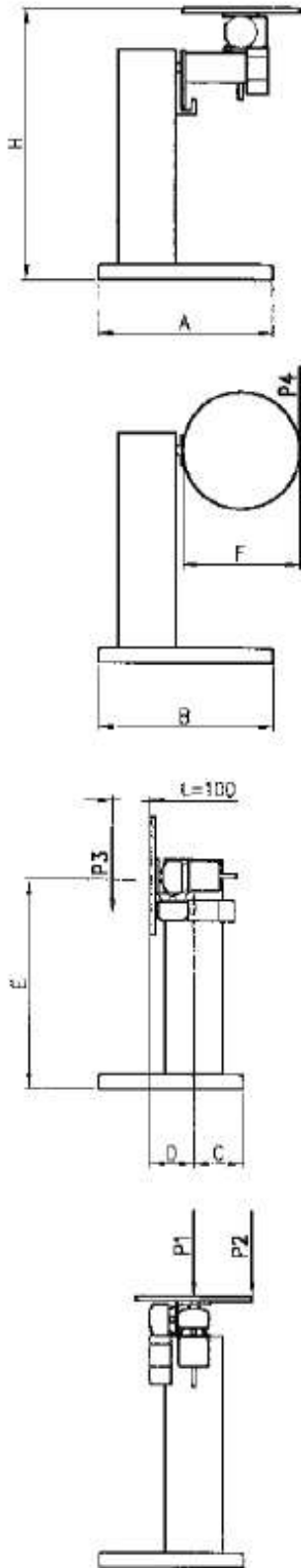


Optional giri 0,4-4,0 RPM

Optional volt 110

DATI DONNES DATA DATEN DATOS	A	B	C	F ø mm	E	D	H	VOLT VOLTS/VOLTS VOLT/VOLTIOS	GIRI TR/MIN RPM UpM R.P.M.	P1 Kg	P2 Kg	MF. Kgm	P3 Kg	P4 Kg	MT. Kgm	PESO Kg POIDS/WEIGHT GEWICHT/PESO
<b>SPS 70</b>	600	500	330	400	340	70	500	220	0,5 12	70	35	7	48	30	5	58
<b>SPS 70/S</b>																





**SPS 75**



**SPS 75/S**

Optional giri 0,4-4,0 RPM

Optional volt 110

DATI DONNES DATA DATEN DATOS	A	B	C	F ø mm	E	D	H	VOLT VOLTS/VOLTS VOLT/VOLTIOS	GIRI TR/MIN RPM UpM R.P.M.	P1 Kg	P2 Kg	MF. Kgm	P3 Kg	P4 Kg	MT. Kgm	PESO Kg POIDS/WEIGHT GEWICHT/PESO
<b>SPS 75</b> <b>SPS 75/S</b>	600	500	330	400	710	70	910	220	0,5 12	70	35	7	48	30	5	65

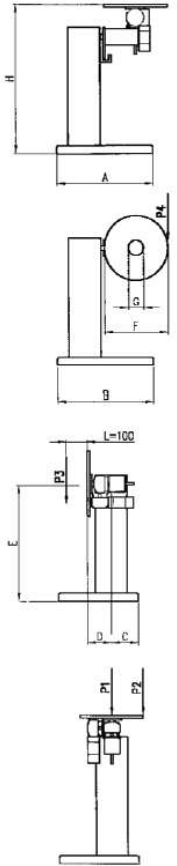


**SPS 150**



**SPS 150/S**

DATI DONNES DATA DATEN DATOS	A	B	C	F ø mm	E	D	H	VOLT VOLTS/VOLTS VOLT/VOLTIOS	GIRI TR/MIN RPM UpM R.P.M.	P1 Kg	P2 Kg	MF. Kgm	P3 Kg	P4 Kg	MT. Kgm	PESO Kg POIDS/WEIGHT GEWICHT/PESO
<b>SPS 150</b> <b>SPS 150/S</b>	700	700	200	500	730	200	910	220	0,5 9	150	80	10	110	45	10	100



Optional giri 0,4-4,0 RPM

Optional volt 110

DATI DONNES DATA DATEN DATOS	A	B	C	F ø mm	E	D	H	VOLT VOLTS/VOLTS VOLT/VOLTIOS	GIRI TR/MIN RPM UpM R.P.M.	P1 Kg	P2 Kg	MF. Kgm	P3 Kg	P4 Kg	MT. Kgm	PESO Kg POIDS/WEIGHT GEWICHT/PESO
<b>SPS 75 PASSANT</b> <b>SPS 75/S PASSANT</b>	600	500	330	500	710	70	910	220	0,5 12	70	35	7	48	30	5	105



Optional giri 0,4-4,0 RPM

Optional volt 110

DATI DONNES DATA DATEN DATOS	A	B	C	F ø mm	E	D	H	VOLT VOLTS/VOLTS VOLT/VOLTIOS	GIRI TR/MIN RPM UpM R.P.M.	P1 Kg	P2 Kg	MF. Kgm	P3 Kg	P4 Kg	MT. Kgm	PESO Kg POIDS/WEIGHT GEWICHT/PESO
<b>SPS 150 HC</b> <b>SPS 150/S HC</b>	700	700	200	500	730	200	910	220	0,5 9	150	80	10	110	45	10	132