



CP 200

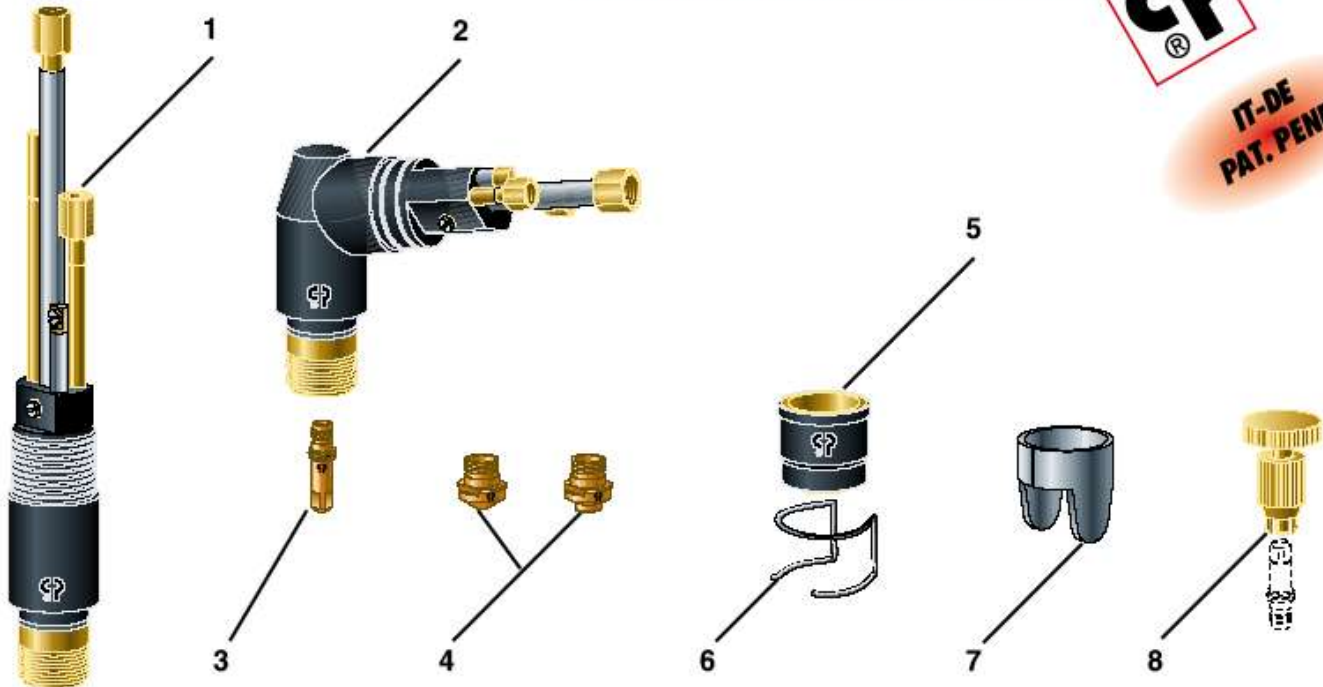
Art. 1232 - 1232.10 - 1234 - 1234.10



ACCESSORIES AND CONSUMABLES



IT-DE
PAT. PEND.



ART.	DESCRIPTION	PER/FOR Art.		
1355	Body (head) for hand torches.	1232 - 1232.10		2
1357	Body (head) for torches for profile mach.	1234 - 1234.10		1
1840	ø1 mm nozzles (10 pcs). For contact cutting. Can be used btw. 20 and 50 Amp.	1232 - 1232.10		4
1842	ø1 mm nozzles (10 pcs). Can be used btw. 20 and 50 Amp.	1232 - 1232.10 1234 - 1234.10		4
1843	ø1.3 mm nozzles (10 pcs). Can be used btw. 40 and 90 Amp.	1232 - 1232.10 1234 - 1234.10		4
1844	ø1.6 mm nozzles (10 pcs). Can be used btw. 80 and 120 Amp.	1232 - 1232.10 1234 - 1234.10		4
1845	ø1.8 mm nozzles (10 pcs). Can be used btw. 110 and 150 Amp.	1232 - 1232.10 1234 - 1234.10		4
1846	ø 3 nozzle for gouging (5pcs).	1232 - 1232.10		4
1367	Electrodes (10 pcs). Can be used btw. 20 and 200 Amp.	1232 - 1232.10 1234 - 1234.10		3
1905	Nozzle holder	1232 - 1232.10 1234 - 1234.10		5
1386	Spacing springs (5 pcs)	1232 - 1232.10		6
1416	Spacing bushes with 2 points (3 pcs)	1232 - 1232.10		7
1508	Extractor for electrode	1232 - 1232.10 1234 - 1234.10		8
164	Wheeled compasses for hand torches.	1232 - 1232.10		
156	Wheeled torch holder.	1232 - 1232.10		