

## Spesifikasjons Data

### Rullebukk

**Kapasitet: 3 Tonn**

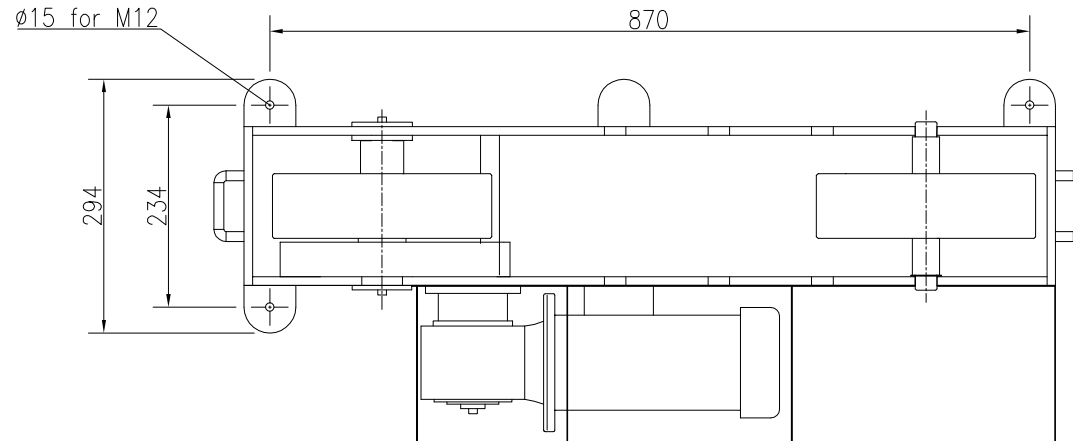
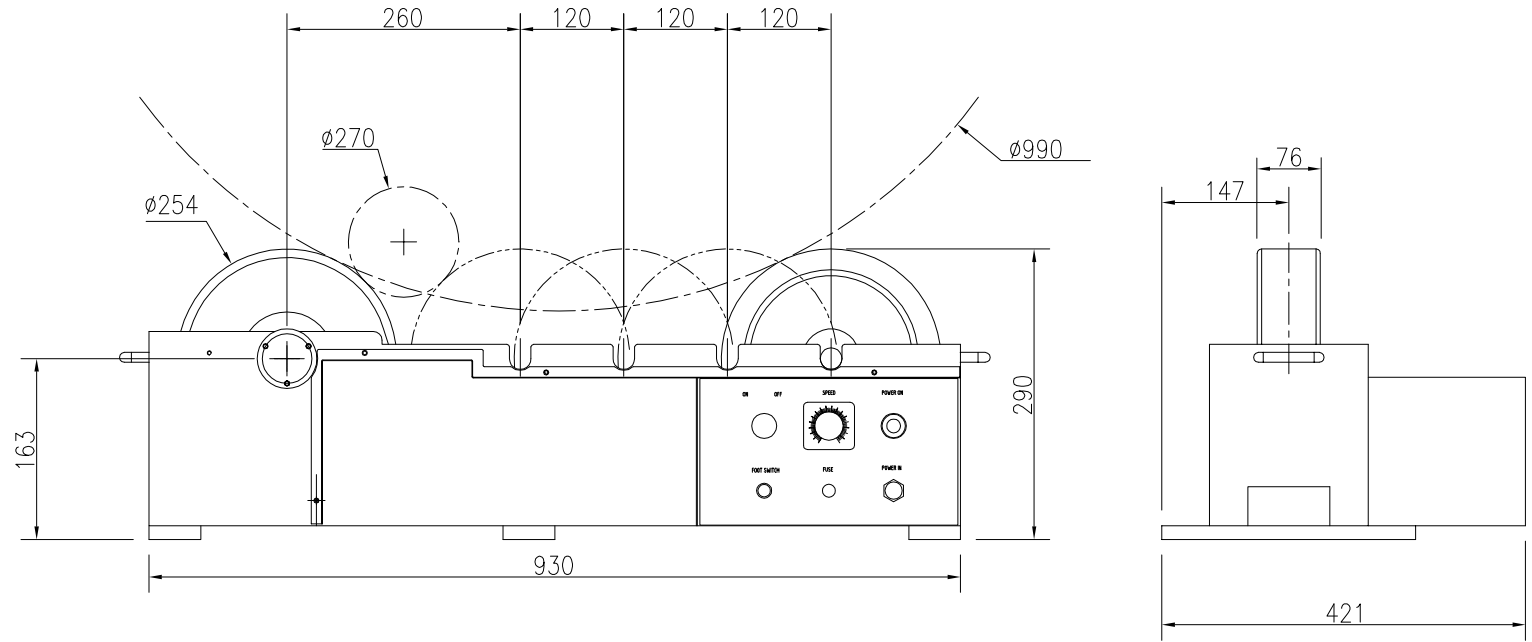
Rock rullebukker en robust heavy duty konstruksjon bygget for å tåle de tøffe og robuste miljøer som forventes i verden av sveising og fabrikkasjons krav. Vårt velprøvde design bruker en 254mm diameter 76mm bredde utskiftbare slitesterk polyuretan dekk montert på en støpt stål tromme for maksimal holdbarhet og overlegen trekraft. Drevenheten driver alle hjulene synkronisert ved hjelp av AC utstyr motorer via den nyeste inverter kontroll. En hånd- holdt lav spenning kontroll anheng på en 3-meter kabel gir føreren full kontroll over rotator inkludert et potensiometer for varierende hastighet, forover / bakover og stopp. Alle rullebukker er sandblåst til SA 2.5 for alle strukturelle stål og polyuretan lakk sikre at investeringen gir deg mange års pålitelig, problemfri bruk. Se GA tegning vedlagt.



Model:	LPP3-S-WD Load
Kapasitet:	3 tonn
Rotation Capacity:	3 tonn på drivenheten og medløper
Rotasjons hastighet:	0 til 4000mm/min
Ramme diameter:	Min 270mm til Max 990mm (ved 620m C-C) @ 60 grader inkludert vinkel
Primærspenning:	220V/1 Phase/50/hz Inverter: DC 100W
Kontroll volt:	24V lav volt, kontroll
AC inverter:	0,5 KW
Vekt:	92kg Drivenhet 54kg Medløper

Specifications for Rotator		
1	Model	LPP3-S-WD
2	Loading Capacity	1.5 TON
3	Turning Capacity	3 TON
4	Vessel Size Min.	Ø270mm at 60° Included Angle, C-C 260mm
5	Vessel Size Max.	Ø990mm at 60° Included Angle, C-C 620mm
6	Tyre Type & Size	polyurethane, 254mm x 76mm
7	Roller Speed	0 to 4000mm /min at 5 to 50Hz
8	Roller Drive Motor	0.5KW c/w force Cooling
9	Roller Drive Control	0.5KW DC
10	Electrical Panel	Yes
11	Incoming Supply	220V-1P-50HZ
12	Control Voltage	24VDC
13	Control Means	Via footswitch c/w 3m cable
14	Surface Preparation	Gritblast to SA2.5
15	Painting	Powder Coating
16	Colour	RAL3003 Red & RAL9005 Black for tyre drum
17	Qty	1 unit
18	Weight	92kg
19	Shipping dimension	1000mm(L)X430mm4.0mm(H)

Note: :  
1) This drawing is accurate at time of preparation and may be subjected to final design.

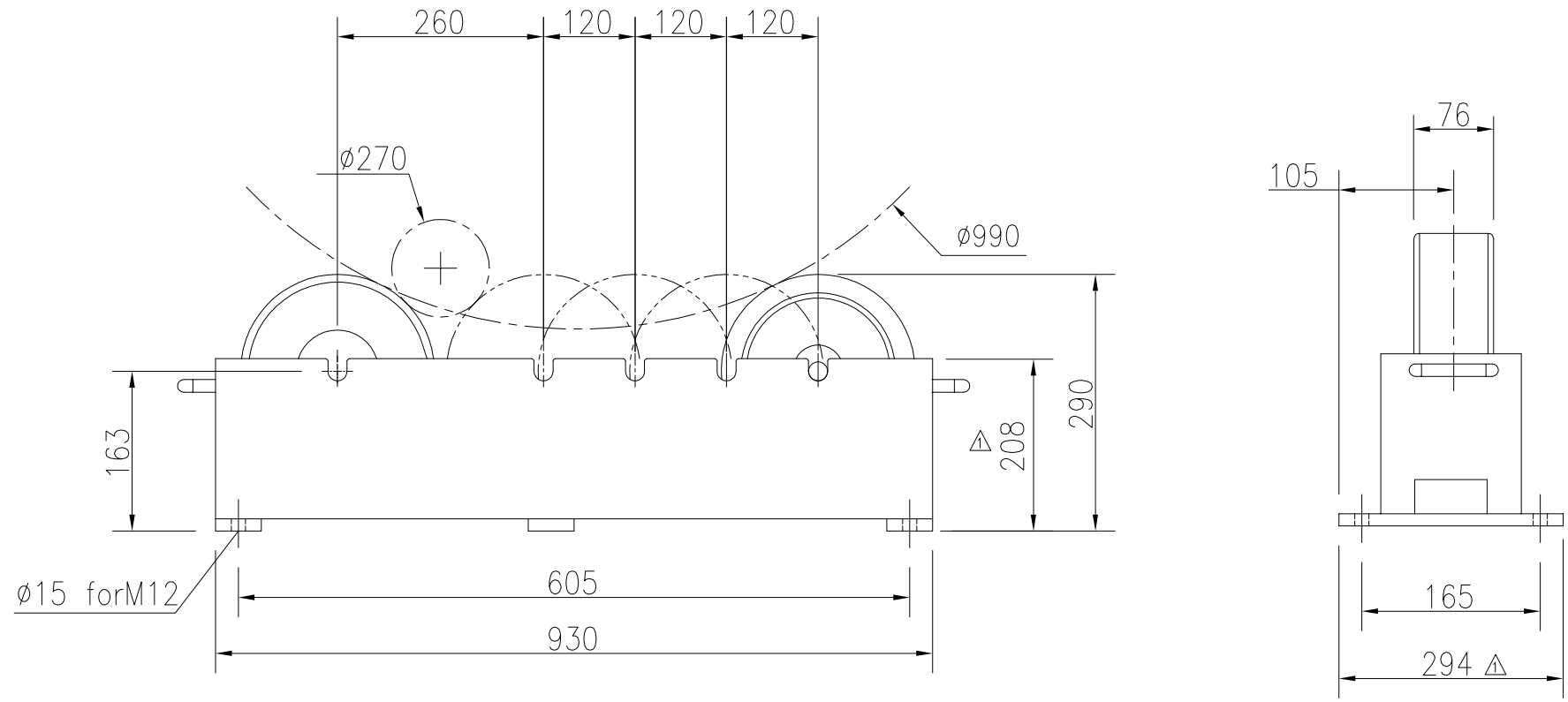


All dimensions in mm unless otherwise specified.

CUSTOMER APPROVAL	CHECKED BY:	DRAWN BY: IC
		11-08-2011

REV	DATE	DESCRIPTION	EDIT BY	REMARKS
CUSTOMER:				
DRAWING NAME:		Rotator 3MT power unit		
DRAWING NO.:		LPP3-S-WD		
THE ORIGINAL AND ALL COPIES OF THIS DRAWING TOGETHER WITH THE COPYRIGHT THEREOF ARE THE SOLE PROPERTY OF RED ROCK. DESIGN AND SPECIFICATIONS ARE SUBJECT TO CHANGE WITHOUT PRIOR NOTICE.				
				SCALE: N.T.S.
				REVISION: 0
				SHEET: 1 OF 1

Specifications for Rotator		
1	Model	LIP3
2	Loading Capacity	1.5 TON
3	Turning Capacity	NA
4	Vessel Size Min.	φ270mm at 60° Included Angle, C-C 260mm
5	Vessel Size Max.	φ990mm at 60° Included Angle, C-C 960mm
6	Tyre Type & Size	polyurethane, 254mm x 76mm
7	Surface Preparation	Gritblast to SA2.5
8	Painting	Powder Coating
9	Colour	RAL3003 Red & RAL9005 Black for tyre drum only
10	Qty	1 unit
11	Weight	54kg
12	Shipping dimension	940mm(L)X300mm(B)X340mm(H)



Note: :  
 1) This drawing is accurate at time of preparation and may be subjected to final design.

All dimensions in mm unless otherwise specified.



CUSTOMER APPROVAL

CHECKED BY:

DRAWN BY: IC  
 25-11-2010

REV	DATE	DESCRIPTION	EDIT BY	REMARKS
1	27-12-2010	As Shown	IC	
CUSTOMER:				
DRAWING NAME: Rotator 3MT Idler				SCALE: N.T.S.
DRAWING NO.: LIP3				REVISION: 1
THE ORIGINAL AND ALL COPIES OF THIS DRAWING TOGETHER WITH THE COPYRIGHT THEREOF ARE THE SOLE PROPERTY OF RED ROCK. DESIGN AND SPECIFICATIONS ARE SUBJECT TO CHANGE WITHOUT PRIOR NOTICE.				
				SHEET: 1 OF 1