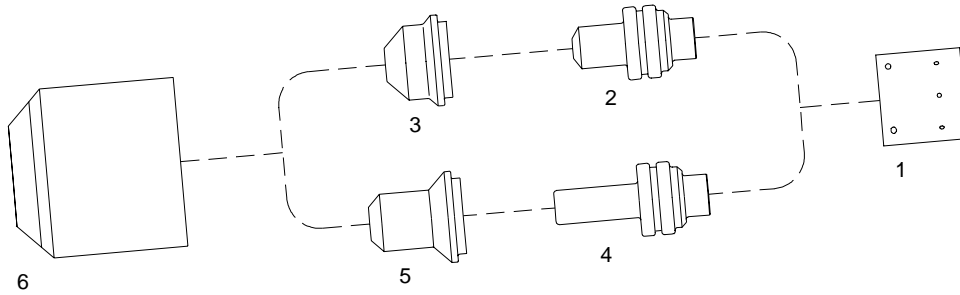
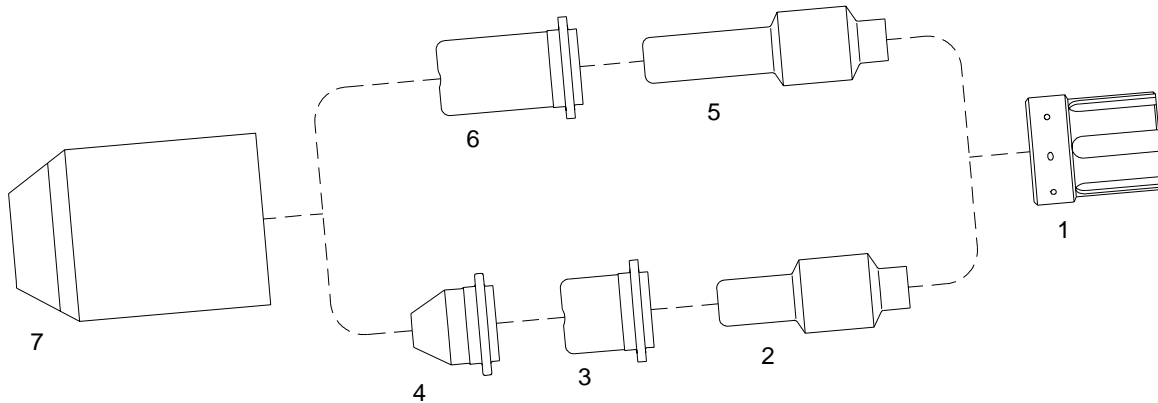


**HYPERTHERM®  
MAX 20® PAC110®**



Item	Ref.	Code	Description
1	020239	60035	Swirl ring
2	020220	52570	Electrode
3	020299	51215	Tip $\phi$ 0,73 - .029
4	020382	52571	Electrode, extended
5	020381	51216	Tip, extended $\phi$ 0,73 - .029
6	020218	60300	Nozzle retaining cap

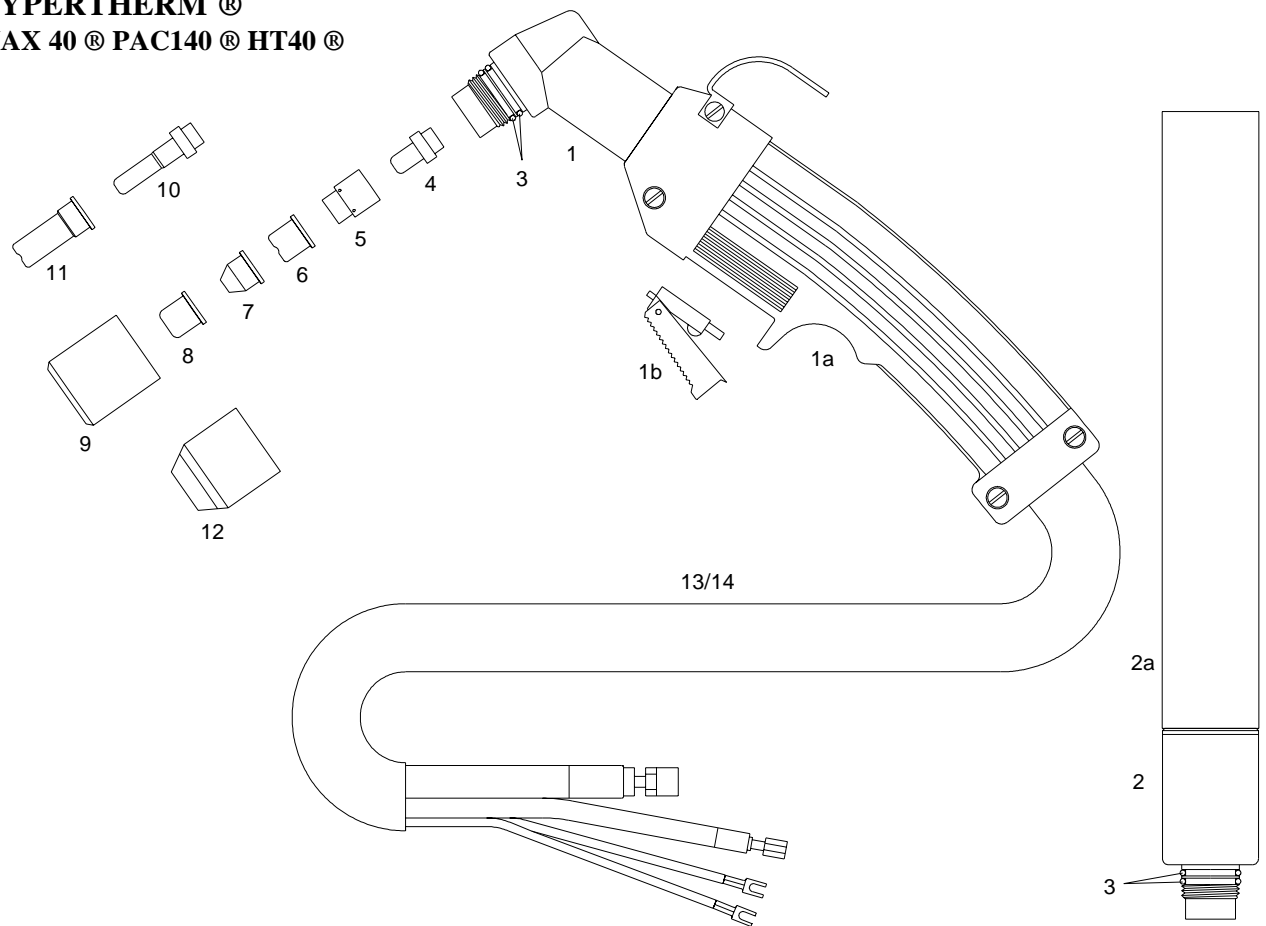
**HYPERTHERM®  
MAX 40CS® / MAX 42® / MAX 43® PAC121PT/M®**



Item	Ref.	Code	Description
1	020361	60046	Swirl ring
2	120573	52577/TD	Electrode ( <b>replaces 020351</b> )
3	020350	51210	Tip $\phi$ 0,96 - .038
	020395	51211	Tip $\phi$ 1,06 - .042
4	020542	51212	Pipe saddle tip
5	120574	52578/TD	Extended electrode ( <b>replaces 020547</b> )
6	020546	51213	Tip, extended $\phi$ 0,96 - .038
7	020930	60303	Nozzle retaining cap

\* CIRCLECUTTING ATTACHMENT : See page # 71

**HYPERTHERM®**  
**MAX 40® PAC140® HT40®**

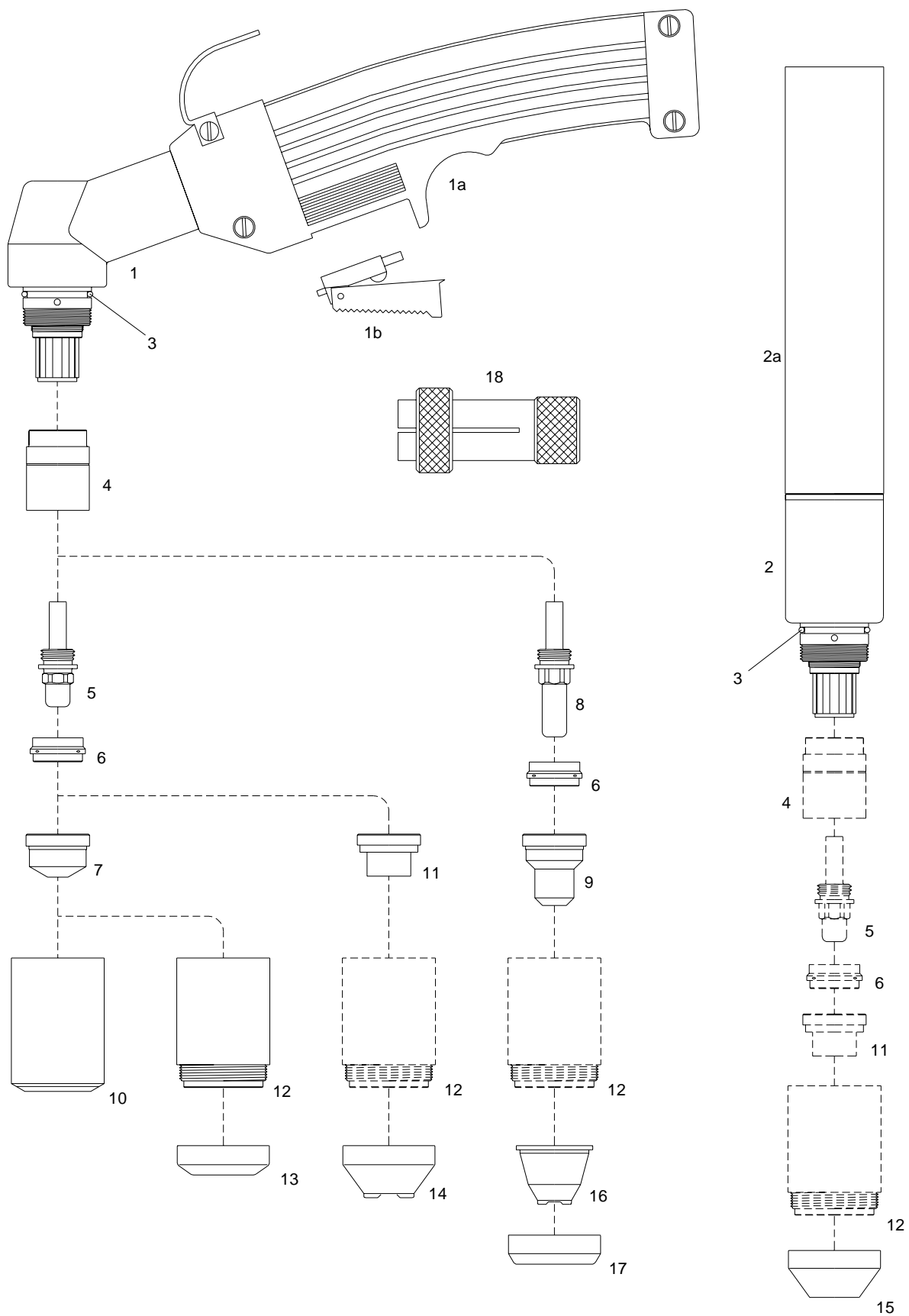


Item	Ref.	Code	Description
	057112	07320	Hand torch with 25' cable (1/2 - 20 connection)
	057113	07330	Hand torch with 50' cable (1/2 - 20 connection)
		07340	Machine torch with 25' cable (1/2 - 20 connection)
		07350	Machine torch with 50' cable (1/2 - 20 connection)
1	057114	07300	Torch body (hand) complete with handle and microswitch
1a		07301	Handgrip complete with switch
1b		07301.20	Switch
2	020114	07310	Torch body (machine)
2a	020206	07315	Machine spare handle
3	026016	07300.60	O - Ring
4	020103	52512	Electrode
5	020101	60001	Swirl ring
6	020115	51100	Tip, hand torch
7	020131	51098	Pipe saddle tip, machine torch
8	020102	51099	Tip, machine torch
9	020104	60301	Nozzle retaining cap
10	020467	52513/L	Electrode, extended
11	020466	51102	Tip, extended.
12	020200	60302	Nozzle retaining cap, tapered
13		07380	Air and power cable 25' - Hand torch
		07385	Air and power cable 50' - Hand torch
14		07390	Air and power cable 25' - Machine torch
		07395	Air and power cable 50' - Machine torch

\* SHIELDED TORCHES : See page # 66

\* CIRCLE CUTTING ATTACHMENT : See page # 71

**HYPERTHERM®**  
**MAX 80/100® PAC130®**



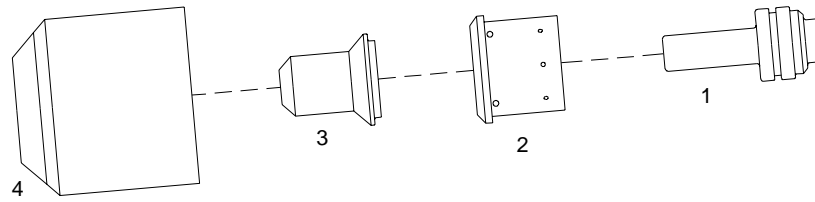
**HYPERTHERM® - MAX 80/100®**

Item	Ref.	Code	Description
	059076	07420	Hand torch with 25' cable (1/2 - 20 connection)
	059077	07430	Hand torch with 50' cable (1/2 - 20 connection)
		07440	Machine torch with 25' cable (1/2 - 20 connection)
		07450	Machine torch with 50' cable (1/2 - 20 connection)
1	020189	07400	Torch body (hand) complete with handle and microswitch
1a		07301	Handgrip complete with switch
1b		07301.20	Switch
2	020201	07410	Torch body (machine)
2a	020245	07215	Machine spare handle
3	026018	06000.60	O - Ring
4		60080	Front insulator
5	120433	52520/TD	Electrode, Air ( <b>replaces 020191</b> )
6	020194	60010	Swirl ring
7	020203	51120	Tip, standard, 40A., ø 1,0 - .038
	020345	51121	Tip, standard, 80A., ø 1,3 - .052
	020195	51122	Tip, standard, 100A., ø 1,5 - .059
8	020564	52521	Electrode, extended
9		51123.10	Tip, extended, ø 1,0 - .038
	020563	51123	Tip, extended, ø 1,4 - .055
10	020184	60310	Nozzle retaining cap
11	020396	51399	Contact tip 40A., ø 1,0 - .038
	020397	51400	Contact tip 80A., ø 1,3 - .052
	020337	51401	Contact tip 100A., ø 1,5 - .059
12		60340/TD	Contact nozzle retaining cap
	020336	60340/V/TD	Contact nozzle retaining cap, Max.life
13	020333	51952/TD	Deflector
14	020335	51930.40/TD	Spacer for contact cuttingNH, hand
15	020334	51935.40/TD	Shield cup NH, machine
16		51980.40/TD	Spacer for contact cutting NH , hand ( for extended tip item 9 )
17		51959/TD	Locking nut
18		60369	Extractor for swirl ring
		07480	Air and power cable 25' - Hand torch
		07485	Air and power cable 50' - Hand torch
		07490	Air and power cable 25' - Machine torch
		07495	Air and power cable 50' - Machine torch

\* SHIELDEDTORCHES : See page # 66

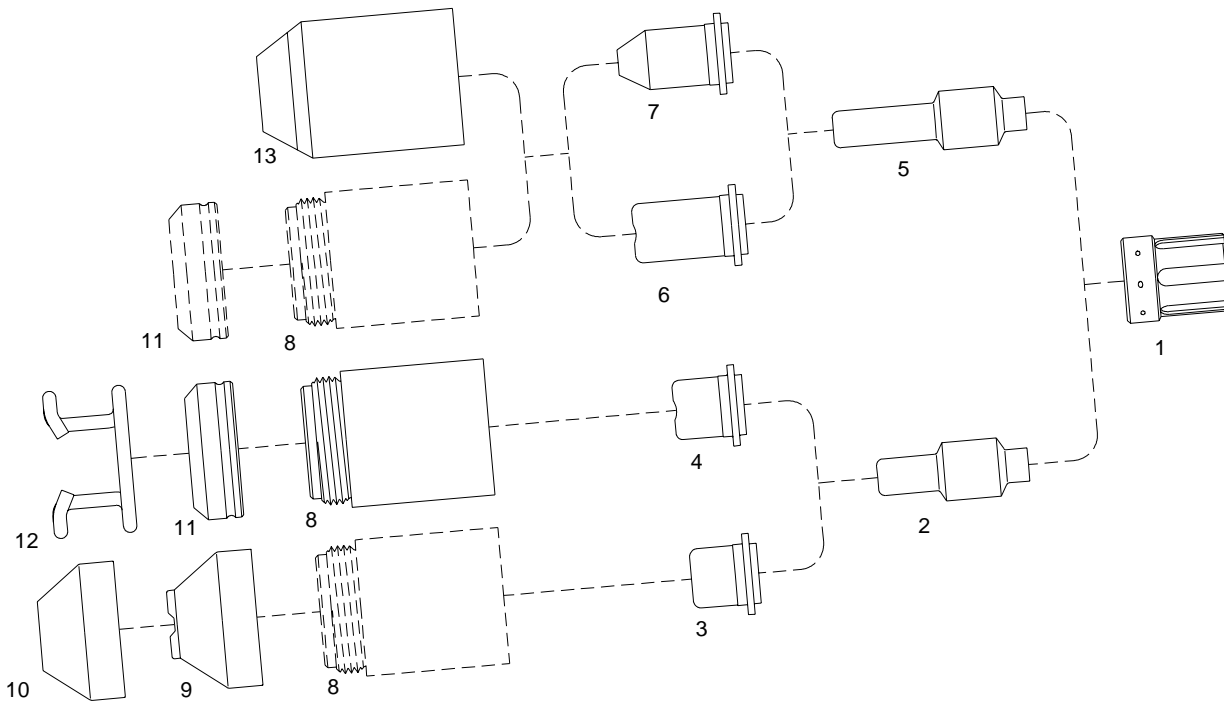
\* CIRCLECUTTINGATTACHMENT : See page # 71

**HYPERTHERM ®**  
**POWERMAX 350 ® PAC110**  
**POWERMAX 380 ® PAC110T®**



Item	Ref.	Code	Description
1	020382	52571	Electrode, extended
2	220013	60037	Swirl ring
3	120504	51217	Tip, extended $\phi$ 0,81 - .032
4	220016	60300	Nozzle Retaining cap

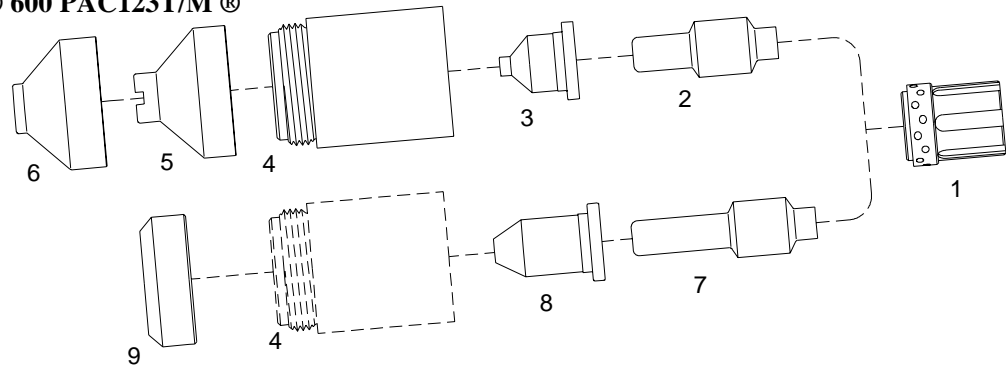
**HYPERTHERM ®**  
**POWERMAX 800 ® PAC121TS/M ®**



Item	Ref.	Code	Description
1	020361	60046	Swirl ring
2	120573	52577/TD	Electrode ( <b>replaces 020351</b> )
3	120438	51204	Tip, 40 Amp
	120282	51201	Tip, 50 Amp
4	020395	51211	Tip, 50 Amp
5	120574	52578/TD	Extended electrode ( <b>replaces 020547</b> )
6	120304	51202	Tip, Extended
7	120305	51203	Tip, Pipe Saddle
8	120301	60313/TD	Cap, Retaining
9	120283	51985.40/TD	Shield NH (hand)
10	120326	51986.40/TD	Shield NH (machine)
11		51987	Spring holder protection nut
12		51907	Spacer spring for code 51987
13	020930	60303	Nozzle retaining cap

\* CIRCLECUTTING ATTACHMENT : See page # 71

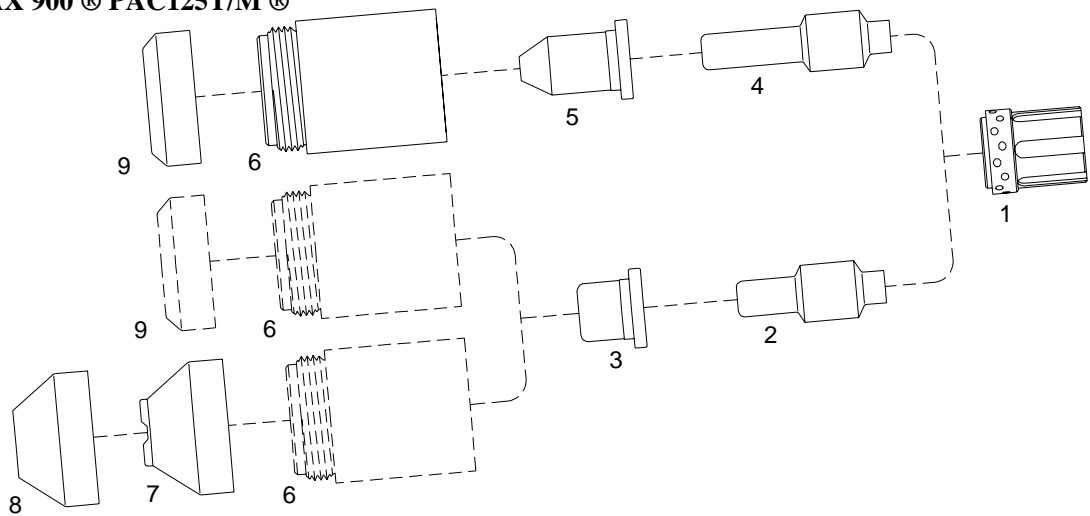
**HYPERTHERM ®**  
**POWERMAX ® 600 PAC123T/M ®**



Item	Ref.	Code	Description
1	120576	60047	Swirl ring
2	120573	52577/TD	Electrode
3	120826	51214	Tip, 40A
4	120600	60316	Cap, Retaining
5	120828	51978.40/TD	Shield NH ( Hand )
6	120827	51979.40/TD	Shield NH ( Machine )
7	120574	52578/TD	Extended electrode
8	120606	51208	Tip, 35A, Extended
9	120303	51987/TD	Deflector

\* CIRCLECUTTING ATTACHMENT : See page # 71

**HYPERTHERM ®**  
**POWERMAX 900 ® PAC125T/M ®**



Item	Ref.	Code	Description
1	120576	60047	Swirl ring
2	120573	52577/TD	Electrode
3	120577	51207	Tip, 55A, Shielded
4	120574	52578/TD	Extended electrode
5	120606	51208	Tip, 35A, Extended
	120578	51209	Tip, 55A, Pipe Saddle, Extended
6	120600	60316	Cap, Retaining
7	120601	51985.40/TD	Shield NH (hand)
8	120602	51986.40/TD	Shield NH (machine)
9	120303	51987/TD	Deflector

\* CIRCLECUTTING ATTACHMENT : See page # 71

**HYPERTHERM ®**

**POWERMAX ® 1000 T60/T60M ®**

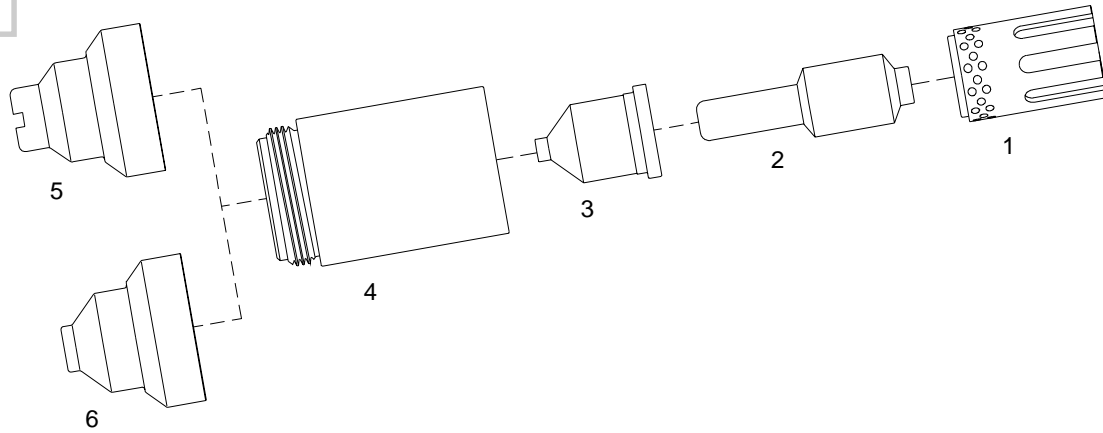
**POWERMAX ® 1250 T80/T80M ®**

**POWERMAX ® 1650 T100/T100M ®**

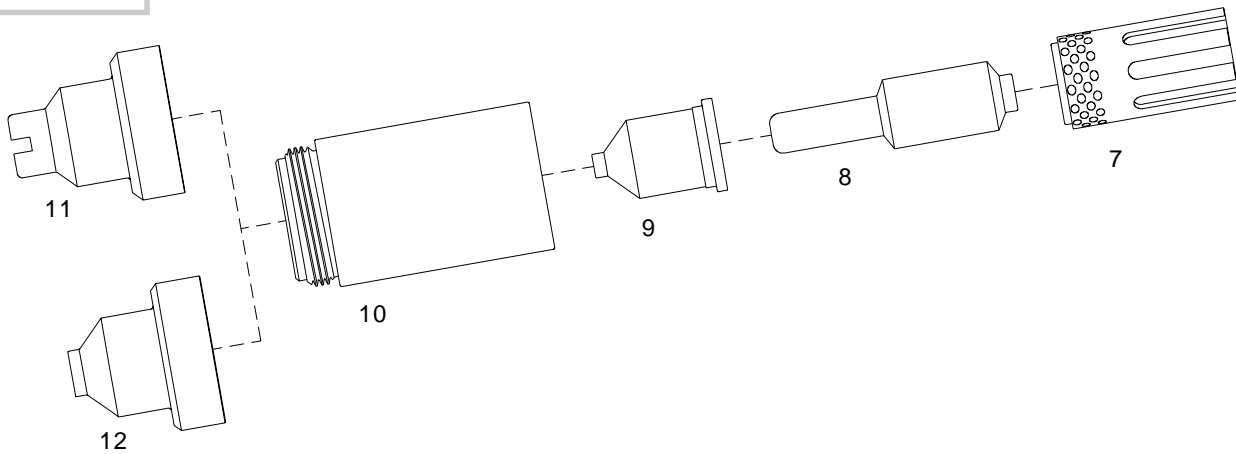
**POWERMAX ® 1100 RT80/RT80M ®**

**RT60/RT60M ®**

**40-80A**



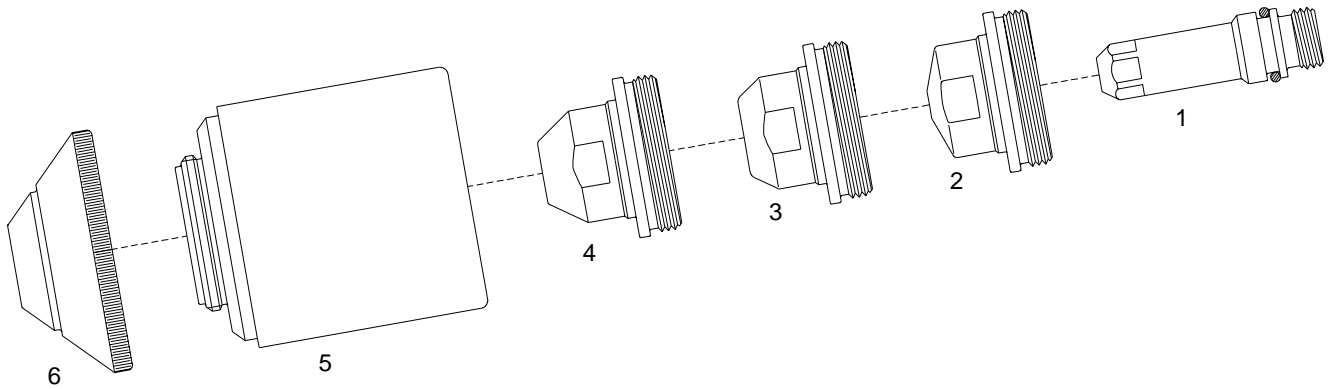
**100A**



Item	Ref.	Code	Description
1	120925	60043	Swirl ring
2	120926	52673/TD	Electrode, 40-80A
3	120932	51405.10	Tip, 40A
	120931	51405.12	Tip, 60A
	120927	51405.14	Tip, 80A
4	120928	60304	Cap, Retaining
5	120929	51981.40/TD	Shield NH ( Hand )
6	120930	51982.40/TD	Shield NH ( Machine )
-----			
7	220051	60044	Swirl ring
8	220037	52674/TD	Electrode, 100A
9	220011	51406	Tip, 100A
10	220048	60307	Cap, Retaining
11	220065	51983.40/TD	Shield NH ( Hand )
12	220047	51984.40/TD	Shield NH ( Machine )

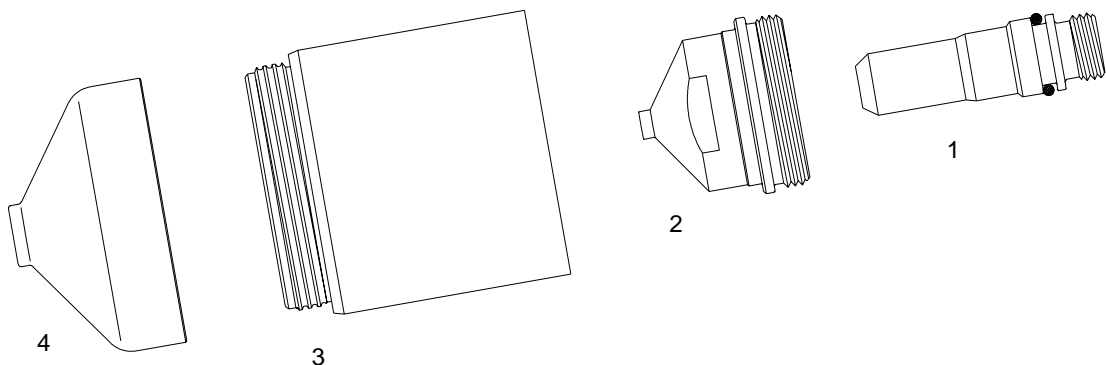
\* CIRCULATING ATTACHMENT : See page # 71

**HYPERTHERM ®**  
**MAX 200 ® PAC200T/E ®**  
**HT-2000 ®**



Item	Ref.	Code	Description
1	120547	52619	Electrode, O <sub>2</sub> , Air, 100A w/ O-ring (XF)
	120667	52620/TD	Electrode, O <sub>2</sub> , Air, 200A w/ O-ring (XF) ( replaces 020664 and 020414 )
	220021	52620	Electrode, O <sub>2</sub> , Air, 200A w/ O-ring (XF) ( MAX 200 ® )
	020415	52620W/TD	Electrode, Ar/H, 200A w/ O-ring (XF)
2	020689	51324/TD	Nozzle .038 , Air , 40A
3	020616	51323/TD	Nozzle .055 , O <sub>2</sub> , 100A ( MAX 200 ® )
	020611	51322/TD	Nozzle .059 , Air, N <sub>2</sub> , Ar/H, 100A
4	020608	51321	Nozzle .086 , Air, N <sub>2</sub> , Ar/H, 200A
	020605	51320	Nozzle .082 , O <sub>2</sub> , 200A
	020690	51319	Nozzle .055 , O <sub>2</sub> , 100A ( HT-2000 ® )
	020615	51325	Nozzle Gouging , Air, 200A
5	020423	60306	Retaining Cap
6	020448	51932.40	Shield Cap NH , Air, N <sub>2</sub> , Ar/H, 100A
	020424	51933.40	Shield Cap NH , O <sub>2</sub> / Air, N <sub>2</sub> , Ar/H, 200A

**HYPERTHERM ®**  
**HYSPEED ® HT-2000 ®**



Item	Ref.	Code	Description
1	220235	52618/TD	Electrode 200A O <sub>2</sub>
2	220237	51326	Nozzle 200A O <sub>2</sub>
3	220238	60308	Retaining Cap 200A O <sub>2</sub>
4	220239	51934.40	Shield Cap NH , 200A O <sub>2</sub>



**KJELLBERG ®**

PA-S47CNC ® - FineFocus 450 ®

PB-S20W/WH ®

PB-S25W/WH ®

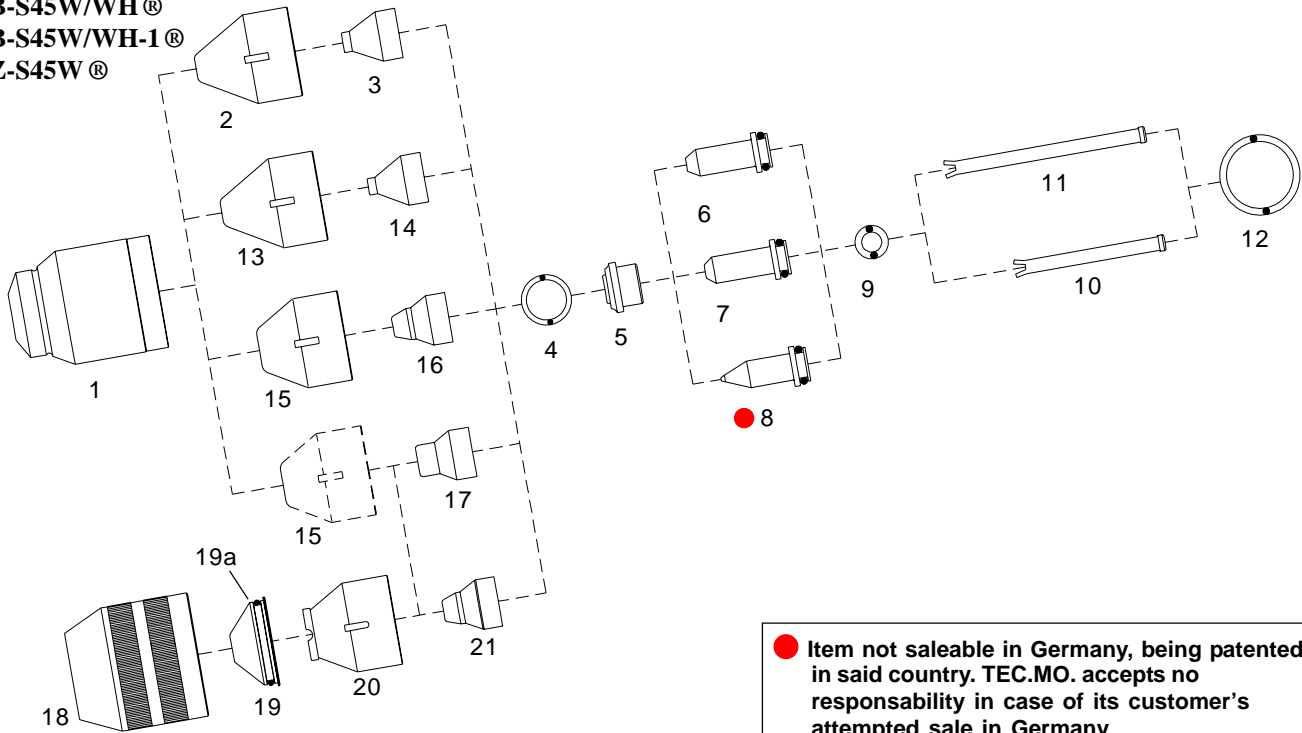
PB-S40W/WH ®

PB-S45W/WH ®

PB-S45W/WH-1 ®

PZ-S45W ®

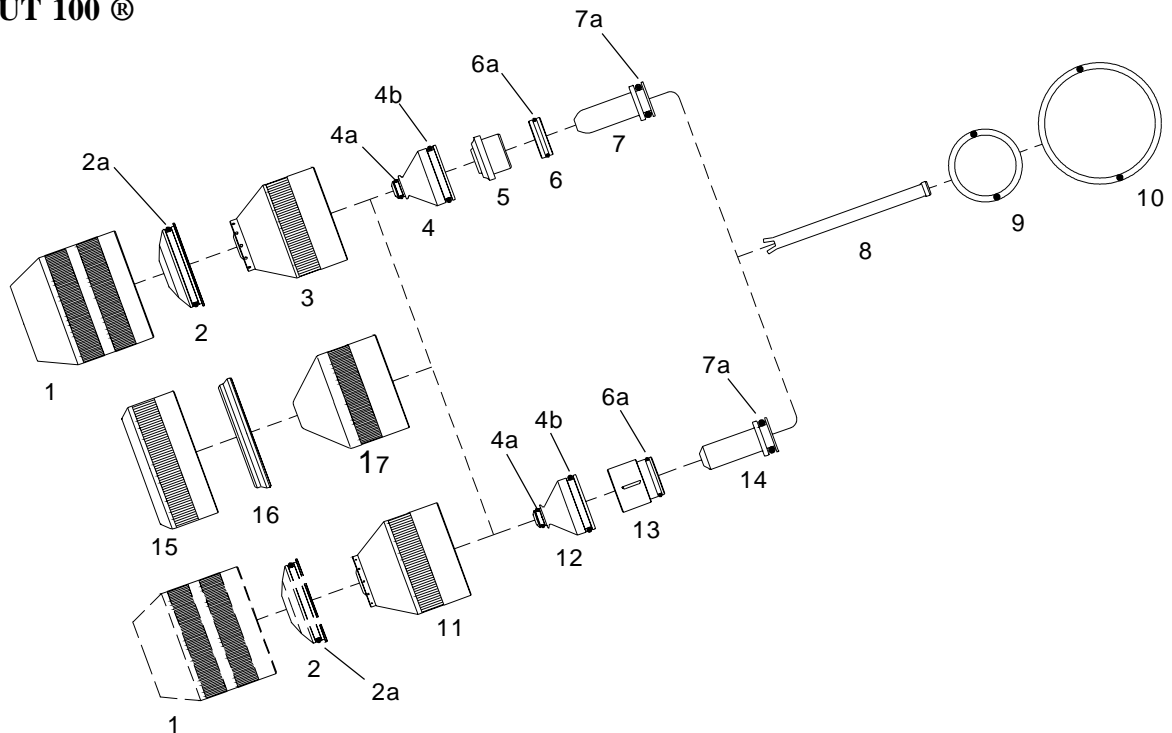
● Dieser Artikel ist für den deutschen Markt nicht verfügbar, da patentrechtlich geschützt. TEC.MO übernimmt keine Verantwortung, im Falle eines indirekten Verkaufes dieser Teile durch deren Kundschaft nach Deutschland."



● Item not saleable in Germany, being patented in said country. TEC.MO. accepts no responsibility in case of its customer's attempted sale in Germany

Item	Ref.	Code	Description
1	.11.828.101.160	60359	Shield cup
2	.11.828.201.151	60358	Nozzle retaining cup ø 6.0
3	.11.828.201.413	51590	Nozzle Ld ø 1.3 , Air
	.11.828.201.414	51591	Nozzle Le ø 1.4 , Air
4	.10.575.036	60066.41	O-Ring 12x1.5 Silicone
5	.11.828.001.153	60066	Swirl ring
6	.11.828.001.3001	52705	Electrode Kb , Air (XF)
7	.11.834.321.3001	52708AG	Electrode Kb-Xl O2 - <b>Solid Silver</b> - ( replaces 11.828.021.3001 )
8	.11.828.211.500	52704W	● Electrode Ka Ar/H2 - (XF)
9	.10.505.827	20705.40	O-Ring 6x2 Silicone
10	.11.828.001.152	60366	Cooling tube
11	.11.832.201.152	60366B	Cooling tube
12	.10.575.052	60365.41	O-Ring 20x2 Silicone
13	.11.828.001.151	60365	Nozzle retaining cup ø 5.0
14	.11.828.001.410	51592	Nozzle Lb ø 1.0 , Air
	.11.828.001.413	51593	Nozzle Lc ø 1.3 , Air
15	.11.830.301.151	60357	Nozzle retaining cup ø 9.6
16	.11.828.203.410	51594	Nozzle Lle ø 1.0 , Air
	.11.828.203.413	51595	Nozzle Lde ø 1.3 , Air
	.11.828.203.414	51596	Nozzle Lee ø 1.4 , Air
17	.11.828.302.425	51597.25	Nozzle Lk ø 2.5 , Air
	.11.828.302.430	51597.30	Nozzle Ln ø 3.0 , Air
18	.11.832.201.081	60560	Shield Cup
19	.11.832.201.1571	60562	Shield ø 4.0
	.11.832.201.1561	60562.30	Shield ø 3.0
19a	.10.505.911	60562.41	O-Ring 22x1.5 Silicone
20	.11.832.201.160	60570	Nozzle retaining cup
21	.11.834.321.410	51656.10	Nozzle Lle-Xl ø 1.0 , O2 ( replaces 11.828.223.410 )
	.11.834.321.413	51657.13	Nozzle Lde-Xl ø 1.3 , O2 ( replaces 11.828.223.413 )
	.11.834.321.414	51657.14	Nozzle Lee-Xl ø 1.4 , O2 ( replaces 11.828.223.414 )

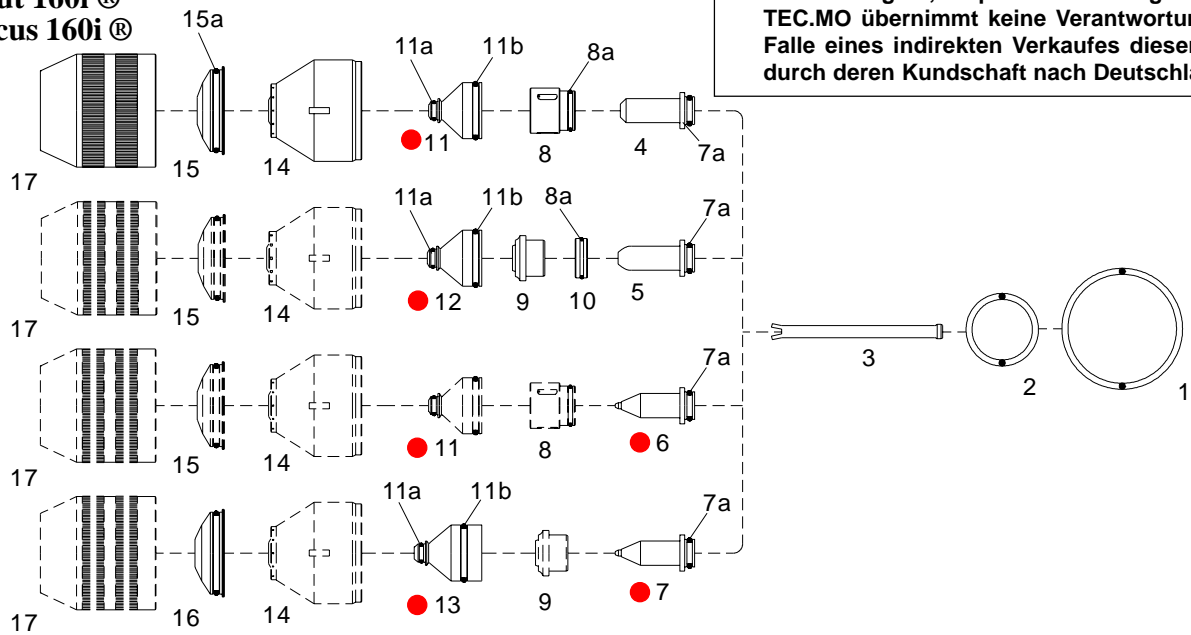
**KJELLBERG ®**  
**PERCUT 100 ®**



Item	Ref.	Code	Description
1	.11.835.201.081	60561	Shield Cup Z501
2	.11.835.201.1561	60565	Shield $\phi$ 1.5 Z4015
	.11.835.201.1571	60566	Shield $\phi$ 2.0 Z4020
	.11.835.201.1581	60566.25	Shield $\phi$ 2.5 Z4025
	.11.835.201.1591	60566.30	Shield $\phi$ 3.0 Z4030
	.11.835.401.1571	60567	Shield $\phi$ 4.0 Z4140
2a	.10.505.914	60565.41	O-Ring 24x1.5 Silicone
3	.11.835.201.162	60573	Nozzle retaining cup $\phi$ 0.8 Z3008
4	.11.835.221.406	51620.06	Nozzle $\phi$ 0.6 O2 Z2006 (XF)
	.11.835.221.407	51620.07	Nozzle $\phi$ 0.7 O2 Z2007 (XF)
	.11.835.221.408	51620.08	Nozzle $\phi$ 0.8 O2 Z2008 (XF)
	.11.835.221.409	51620.09	Nozzle $\phi$ 0.9 O2 Z2009 (XF)
	.11.835.221.410	51620.10	Nozzle $\phi$ 1.0 O2 Z2010 (XF)
	.11.835.221.411	51620.11	Nozzle $\phi$ 1.1 O2 Z2011 (XF)
	.11.835.221.412	51620.12	Nozzle $\phi$ 1.2 O2 Z2012 (XF)
4a	.10.505.820	20850.40	O-Ring 4x1 Silicone
4b	.10.505.885	51620.60	O-Ring 15x1.5 Silicone
5	.11.834.321.153	60066	Swirl ring Z111
6	.11.835.421.303	60064	Spacer ring
6a	.10.505.869	20608.41	O-Ring 10x1 Silicone
7	.11.835.421.3101	52707AG	Electrode O2 XI Z012 - <b>Solid Silver</b>
7a	.10.505.827	20705.40	O-Ring 6x2 Silicone
8	.11.835.201.152	60366C	Cooling tube
9	.10.575.052	60365.41	O-Ring 20x2 Silicone
10	.10.505.946	60365.42	O-Ring 36x2 Silicone
11	.11.835.201.160	60572	Nozzle retaining cup $\phi$ 0.4 Z3004
12	.11.835.421.412	51621.12	Nozzle $\phi$ 1.2 O2 Z2112 (XF)
	.11.835.421.414	51621.14	Nozzle $\phi$ 1.4 O2 Z2114 (XF)
13	.11.835.221.153	60065	Swirl ring Z101
14	.11.835.221.3101	52706AG	Electrode O2 XI Z002 - <b>Solid Silver</b>
15	.11.835.201.085	60575	Nozzle retaining cup
16	.11.835.201.086	60576	Insulator
17	.11.835.201.087	60577	Shield Cup

**KJELLBERG®**  
**PerCut 160i®**  
**HiFocus 160i®**

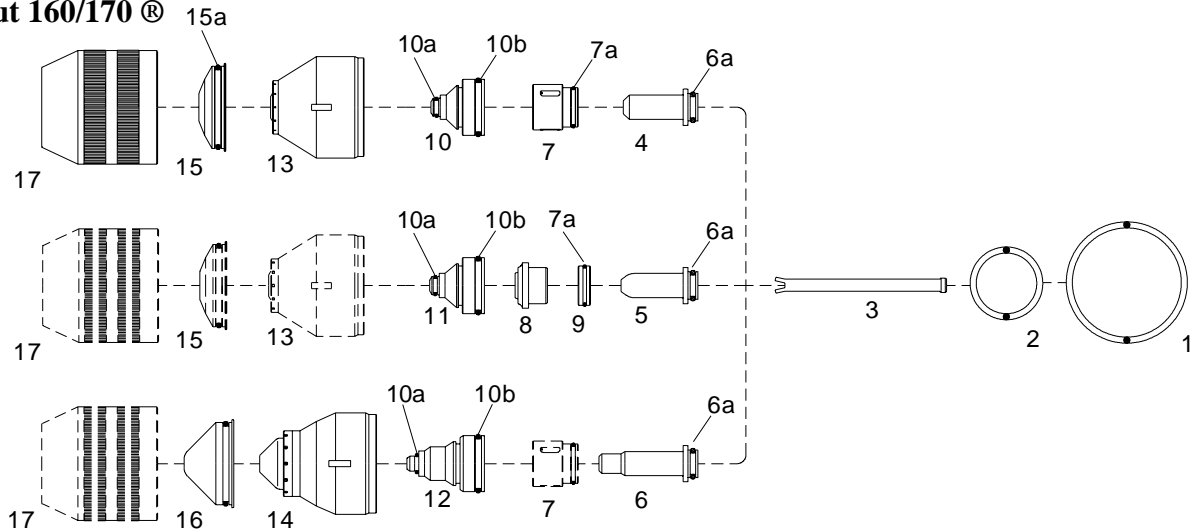
● Dieser Artikel ist für den deutschen Markt nicht verfügbar, da patentrechtlich geschützt. TEC.MO übernimmt keine Verantwortung, im Falle eines indirekten Verkaufes dieser Teile durch deren Kundschaft nach Deutschland."



Item	Ref.	Code	Description
1	.10.505.946	60365.42	O-Ring 36x2 Silicone
2	.10.575.052	60365.41	O-Ring 20x2 Silicone
3	.11.842.401.152	60579	Cooling tube
4	.11.842.421.310	52711AG	Electrode O2 XI S002 - <b>Solid Silver</b>
5	.11.842.521.310	52712AG	Electrode O2 XI S012 - <b>Solid Silver</b>
6	.11.842.411.510	52713W	● Electrode A S042 (XF)
7	.11.842.511.510	52714W	● Electrode A S052 (XF)
7a	.10.505.827	20705.40	O-Ring 6x2 Silicone
8	.11.835.221.153	60065	Swirl ring Z101
	.11.835.221.154	60068	Swirl ring Z102
8a	.10.505.869	20608.41	O-Ring 10x1 Silicone
9	.11.834.321.153	60066	Swirl ring Z111
10	.11.835.421.303	60064	Spacer ring
11	.11.842.421.406	51622.06	● Nozzle $\phi$ 0.6 S2006 25A (XF)
	.11.842.421.407	51622.07	● Nozzle $\phi$ 0.7 S2007 35A (XF)
	.11.842.421.408	51622.08	● Nozzle $\phi$ 0.8 S2008 50A (XF)
	.11.842.421.409	51622.09	● Nozzle $\phi$ 0.9 S2009 70A (XF)
	.11.842.421.410	51622.10	● Nozzle $\phi$ 1.0 S2010 80A (XF)
	.11.842.421.411	51622.11	● Nozzle $\phi$ 1.1 S2011 90A (XF)
	.11.842.421.412	51622.12	● Nozzle $\phi$ 1.2 S2012 100A (XF)
	.11.842.421.414	51622.14	● Nozzle $\phi$ 1.4 S2014 130A (XF)
	.11.842.421.416	51622.16	● Nozzle $\phi$ 1.6 S2016 160A (XF)
11a	.10.505.820	20850.40	O-Ring 4x1 Silicone
11b	.10.505.885	51620.60	O-Ring 15x1.5 Silicone
12	.11.842.521.412	51623.12	● Nozzle $\phi$ 1.2 S2112 100A (XF)
	.11.842.521.414	51623.14	● Nozzle $\phi$ 1.4 S2114 130A (XF)
	.11.842.521.416	51623.16	● Nozzle $\phi$ 1.6 S2116 160A (XF)
13	.11.842.511.614	51624.14	● Nozzle $\phi$ 1.4 S2514 100A (XF)
	.11.842.511.616	51624.16	● Nozzle $\phi$ 1.6 S2516 130A (XF)
	.11.842.511.618	51624.18	● Nozzle $\phi$ 1.8 S2518 160A (XF)
14	.11.842.401.160	60580	Nozzle retaining cup $\phi$ 0.4 S3004
	.11.842.401.162	60581	Nozzle retaining cup $\phi$ 0.8 S3008
	.11.842.401.1622	60582	Nozzle retaining cup $\phi$ 0.8 S3028
15	.11.835.201.1561	60565	Shield $\phi$ 1.5 Z4015
	.11.835.201.1571	60566	Shield $\phi$ 2.0 Z4020
	.11.835.201.1551	60566.22	Shield $\phi$ 2.2 Z4022
	.11.835.201.1581	60566.25	Shield $\phi$ 2.5 Z4025
	.11.835.201.1591	60566.30	Shield $\phi$ 3.0 Z4030
	.11.835.401.1571	60567	Shield $\phi$ 4.0 Z4140
15a	.10.505.914	60565.41	O-Ring 24x1.5 Silicone
16	.11.835.411.1581	60568.30	Shield $\phi$ 3.0 Z4530
	.11.835.411.1580	60568.35	Shield $\phi$ 3.5 Z4535
	.11.835.411.1591	60568.40	Shield $\phi$ 4.0 Z4540
	.11.835.411.1590	60568.45	Shield $\phi$ 4.5 Z4545
17	.11.835.201.081	60561	Shield Cup Z501

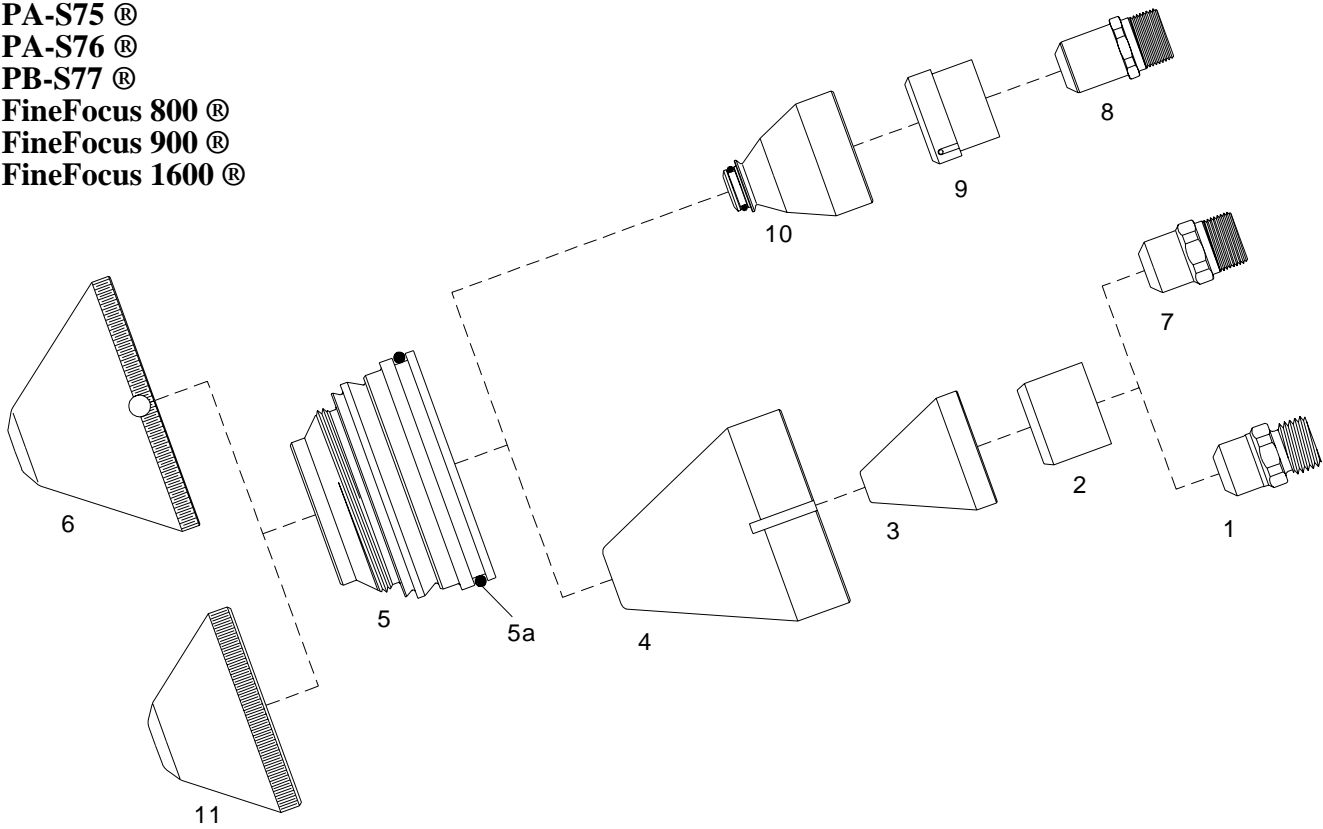
● Item not saleable in Germany, being patented in said country. TEC.MO. accepts no responsibility in case of its customer's attempted sale in Germany

**KJELLBERG®**  
**PerCut 160/170®**



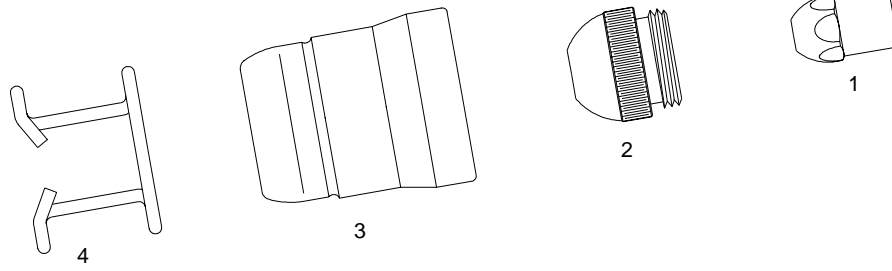
Item	Ref.	Code	Description
1	.10.505.946	60365.42	O-Ring 36x2 Silicone
2	.10.575.052	60365.41	O-Ring 20x2 Silicone
3	.11.842.401.152	60579	Cooling tube
4	.11.843.021.310	52716AG	Electrode O2 XL S002X - <b>Solid Silver</b>
	<a href="#">.11.843.021.320</a>	<a href="#">52718AG</a>	Electrode O2 XL S002Y - <b>Solid Silver - "YELLOW"</b>
5	.11.843.121.310	52717AG	Electrode O2 XL S012X - <b>Solid Silver</b>
6	.11.842.621.310	52720AG	Electrode O2 XL R002 - <b>Solid Silver</b>
6a		20711.40	O-Ring 6x1.5 White Silicone
7	.11.835.221.153	60065	Swirl ring Z101, 3 Holes
	.11.835.221.154	60068	Swirl ring Z102, 2 Holes
7a	.10.505.869	20608.41	O-Ring 10x1 Silicone
8	.11.834.321.153	60066	Swirl ring Z111
9	.11.835.421.303	60064	Spacer ring Z111A
10	.11.843.021.406	51625.06	Nozzle $\phi$ 0.6 S2006X 25A (XF)
	.11.843.021.407	51625.07	Nozzle $\phi$ 0.7 S2007X 35A (XF)
	.11.843.021.408	51625.08	Nozzle $\phi$ 0.8 S2008X 50/60A (XF)
	.11.843.021.409	51625.09	Nozzle $\phi$ 0.9 S2009X 70/80A (XF)
	.11.843.021.410	51625.10	Nozzle $\phi$ 1.0 S2010X 80/90A (XF)
	.11.843.021.411	51625.11	Nozzle $\phi$ 1.1 S2011X 90/100A (XF)
	.11.843.021.412	51625.12	Nozzle $\phi$ 1.2 S2012X 100/130A (XF)
	.11.843.021.414	51625.14	Nozzle $\phi$ 1.4 S2014X 130/160A (XF)
	.11.843.021.416	51625.16	Nozzle $\phi$ 1.6 S2016X 160A (XF)
10a	.10.505.820	20850.40	O-Ring 4x1 Silicone
10b	.10.505.885	51620.60	O-Ring 15x1.5 Silicone
11	.11.843.121.412	51626.12	Nozzle $\phi$ 1.2 S2112X 100A (XF)
	.11.843.121.414	51626.14	Nozzle $\phi$ 1.4 S2114X 130A (XF)
	.11.843.121.416	51626.16	Nozzle $\phi$ 1.6 S2116X 160A (XF)
12	.11.842.621.408	51630.08	Nozzle $\phi$ 0.8 R2008 50/60A (XF)
	.11.842.621.409	51630.09	Nozzle $\phi$ 0.9 R2009 70/80A (XF)
	.11.842.621.410	51630.10	Nozzle $\phi$ 1.0 R2010 80/90A (XF)
	.11.842.621.411	51630.11	Nozzle $\phi$ 1.1 R2011 90/100A (XF)
	.11.842.621.412	51630.12	Nozzle $\phi$ 1.2 R2012 100/130A (XF)
13	.11.842.401.160	60580	Nozzle retaining cup $\phi$ 0.4 S3004
	.11.842.401.162	60581	Nozzle retaining cup $\phi$ 0.8 S3008
	.11.842.401.1622	60582	Nozzle retaining cup $\phi$ 0.8 S3028
14	.11.842.601.160	60584	Nozzle retaining cup $\phi$ 0.4 R3004
15	.11.835.201.1561	60565	Shield $\phi$ 1.5 Z4015
	.11.835.201.1571	60566	Shield $\phi$ 2.0 Z4020
	.11.835.201.1551	60566.22	Shield $\phi$ 2.2 Z4022
	.11.835.201.1581	60566.25	Shield $\phi$ 2.5 Z4025
	.11.835.201.1591	60566.30	Shield $\phi$ 3.0 Z4030
	.11.835.401.1571	60567	Shield $\phi$ 4.0 Z4140
15a	.10.505.914	60565.41	O-Ring 24x1.5 Silicone
16	<a href="#">.11.842.601.1571</a>	<a href="#">60586.20</a>	Shield $\phi$ 2.0 R4020
	<a href="#">.11.842.601.1551</a>	<a href="#">60586.22</a>	Shield $\phi$ 2.2 R4022
	.11.838.001.1561	60585.15	Shield $\phi$ 1.5 Y4015
	.11.838.001.1571	60585	Shield $\phi$ 2.0 Y4020
	.11.838.001.1551	60585.22	Shield $\phi$ 2.2 Y4022
17	.11.835.201.081	60561	Shield Cup Z501

**KJELLBERG ®**  
**PA-50 ®**  
**PA-S75 ®**  
**PA-S76 ®**  
**PB-S77 ®**  
**FineFocus 800 ®**  
**FineFocus 900 ®**  
**FineFocus 1600 ®**



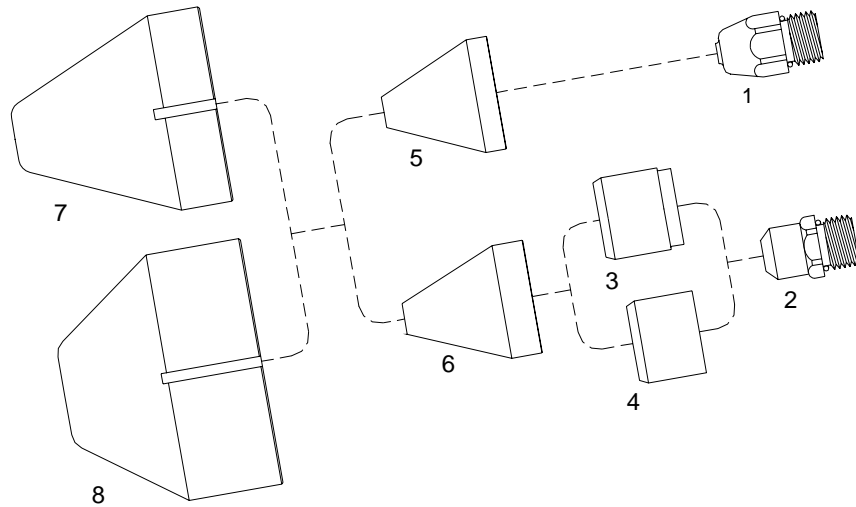
Item	Ref.	Code	Description
1	.12.40870	52700XF	Electrode K2 Air <b>(XF)</b>
	.11.828.921.300	52700AG	Electrode K2 XL <b>Solid Silver</b>
2	.12.40860	60067	Swirl Ring - Teflon
3	.11.828.501.414	51306	Nozzle L3 Air 120A
	.11.828.901.414	51306XF	Nozzle L3 XL O2 120A <b>(XF)</b>
	.12.43050	51307	Nozzle L1 Air 160A
	.11.828.901.420	51307XF	Nozzle L1 XL O2 160A <b>(XF)</b>
	.12.40850	51308	Nozzle L2 Air 250A
	.11.828.901.425	51308XF	Nozzle L2 XL O2 250A <b>(XF)</b>
	4	.12.37790	60364
5	.11.833.101.271	60590	Fiberglass nozzle
5a	.10.505.961	60590.41	O-Ring 48 x 2 Silicone
6	.11.833.101.150	60595.30	Shield Cap $\phi$ 3.0 V4330
	.11.833.101.155	60595.35	Shield Cap $\phi$ 3.5 V4335
	.11.833.101.156	60595.40	Shield Cap $\phi$ 4.0 V4340
	.11.833.101.157	60595.45	Shield Cap $\phi$ 4.5 V4345
	.11.833.101.158	60595.50	Shield Cap $\phi$ 5.0 V4350
	7		52702AG
8	.11.836.921.300	52703AG	Electrode T012 <b>Solid Silver</b>
9	<a href="#">.11.836.921.153</a>	<a href="#">60070</a>	<a href="#">Swirl Ring T101 - Teflon</a>
10	.11.836.921.154	60069	Swirl Ring T102 - Teflon
	.11.836.921.420	51303	Nozzle T2120 200A <b>(XF)</b>
	.11.836.921.425	51304	Nozzle T2125 250A <b>(XF)</b>
	.11.836.921.427	51305	Nozzle T2127 300A <b>(XF)</b>
11	<a href="#">.11.833.111.155</a>	<a href="#">60594.30</a>	<a href="#">Shield Cap <math>\phi</math> 3.0 V4530</a>
	<a href="#">.11.833.111.156</a>	<a href="#">60594.40</a>	<a href="#">Shield Cap <math>\phi</math> 4.0 V4540</a>
		<a href="#">60594.45</a>	<a href="#">Shield Cap <math>\phi</math> 4.5 V4545</a>
	<a href="#">.11.833.111.158</a>	<a href="#">60594.50</a>	<a href="#">Shield Cap <math>\phi</math> 5.0 V4550</a>
	<a href="#">.11.833.111.159</a>	<a href="#">60594.60</a>	<a href="#">Shield Cap <math>\phi</math> 6.0 V4560</a>

**W.T.C. ®**



Item	Ref.	Code	Description
1	0189-H	52516	Electrode
2	0702	51111	Tip $\phi$ 1,0
	0703	51112	Tip $\phi$ 1,2
	0704	51113	Tip $\phi$ 1,4
	0705	51114	Tip $\phi$ 1,7
	0764	51200	Tip $\phi$ 2,0
3	0413	60420	Shield cup, long life
4	0618	51901	Spacer spring

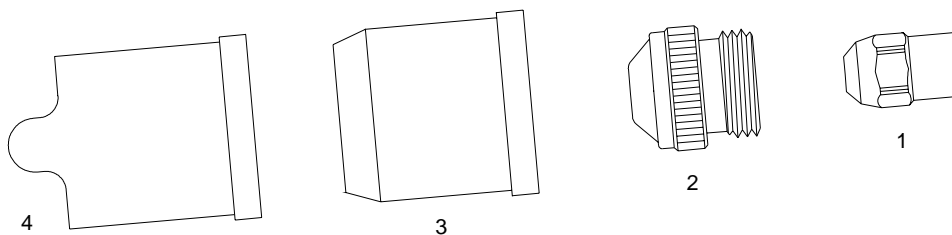
**WHITNEY ®**



Item	Ref.	Code	Description
1	025.1044	52701	Air electrode Z (Lo - Amp.)
2	025.1039	52700	Air electrode K2
3	025.1040	80068	Swirl ring
4	025.1040	60067	Swirl ring - TEFLON
5	025.1045	51301	Nozzle air L $\phi$ 1,6 (Lo - Amp.)
6	025.1041	51300	Nozzle air L2 $\phi$ 2,4
7		60356	Conical nozzle retaining cap $\phi$ 38 mm
8	025.1042	60355	Conical nozzle retaining cap $\phi$ 48 mm

**ESAB® (L-TEC®)**

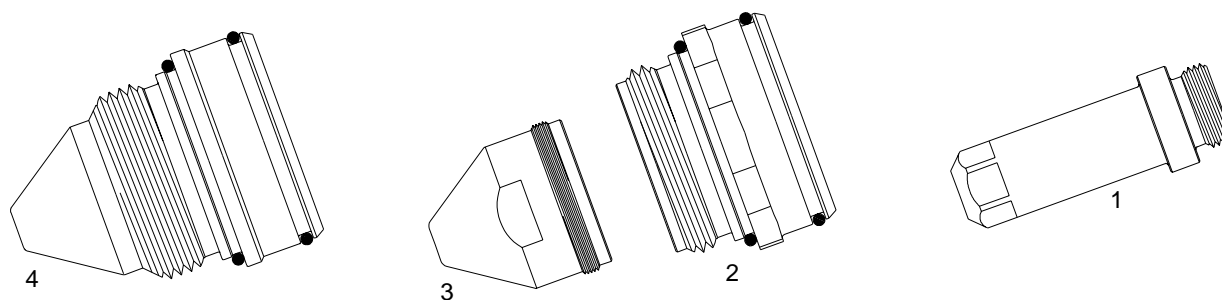
**PT - 17**



Item	Ref.	Code	Description
1	19918	52560	Electrode
2	19914	51175	Tip ø 0,93 - .037
	19915	51176	Tip ø 1,16 - .046
	19916	51178	Tip ø 1,32 - .052
	19917	51177	Tip ø 1,44 - .057
	20056	51179	Tip ø 1,70 - .067
	3	19124	80006
4	19122	80009	Heat shield - Drag

**ESAB® (L-TEC®)**

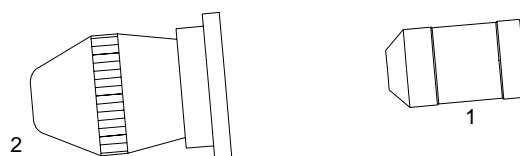
**PT - 19XL**



Item	Ref.	Code	Description
1	34086XL	52561	Electrode O2 (XF)
2	22028	60464	Nozzle Base 100-200A
3	22029	51531	Tip 100A
	22030	51532	Tip 150A
	22031	51533	Tip 200A
4	21822	51381	Tip 250A

**ESAB® (L-TEC®)**

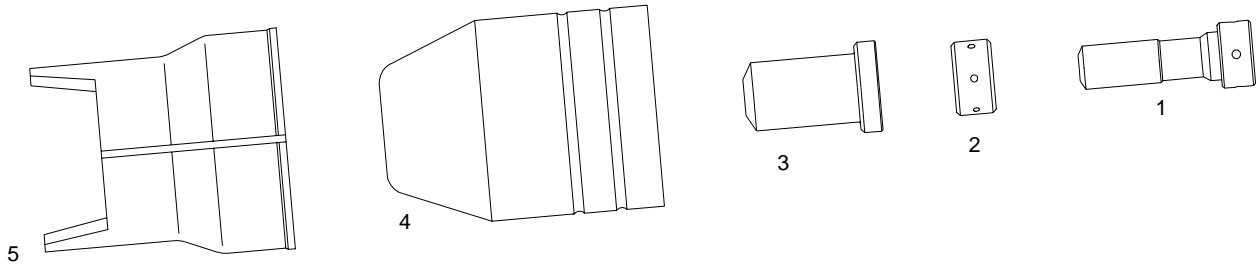
**PT - 20**



Item	Ref.	Code	Description
1	21150	52884	Electrode
2	21330	51345	Tip ø 1,0 - .039 - 50A
	21329	51346	Tip ø 1,3 - .051 - 70A
	21328	51347	Tip ø 1,5 - .059 - 100A

**ESAB® (L-TEC®)**

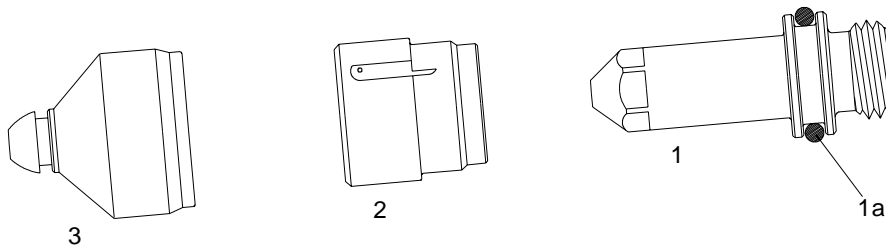
**PT - 23/27**



Item	Ref.	Code	Description
1	33366	52882	Electrode
2	33367	80005	Swirl Baffle
3	33368	51340/TD	Tip $\varnothing$ 0,93 - .037 - 30A
	33369	51341/TD	Tip $\varnothing$ 1,16 - .046 - 50A
	33418	51342/TD	Tip $\varnothing$ 1,32 - .052 - 80A
4	21616	60460	Shield cup ( PT 27 )
5	21420	60461	Double pointed spacer

**ESAB® (L-TEC®)**

**PT-24®**



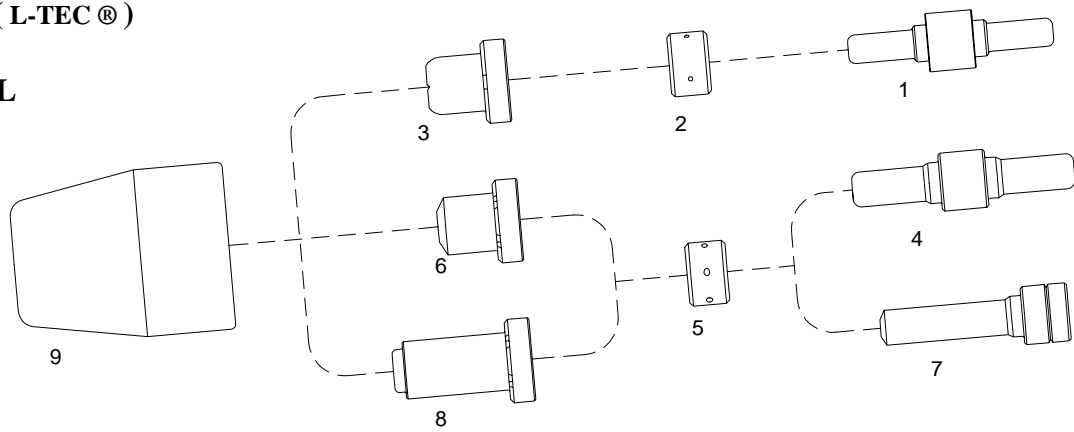
Item	Ref.	Code	Description
1	21539	52885	Electrode 15/100A (XF)
	21539AG	52885AG	Electrode 15/100A - <b>Solid Silver</b>
1a		20620.41	O-Ring
2	21852	60006/15	Swirl Ring 15A, 2 holes
	21536	60006/30	Swirl Ring 30A, 3 holes
	21692	60006/50	Swirl Ring 50/100A, 4 holes
3	21541	51386	Nozzle 30A "B" (XF)
	21542	51387	Nozzle 50A "C" (XF)
	21543	51388	Nozzle 70A "D" (XF)
	21923	51389	Nozzle 100A "E" (XF)



**ESAB® (L-TEC®)**

**PT - 31**

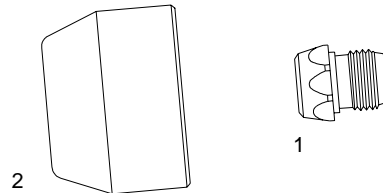
**PT - 31XL**



Item	Ref.	Code	Description
1	18205	52057	Electrode - Zr.
2	18785	80002	Swirl baffle, 4 Holes
3	18866	51165	Tip, 4 Stakes, $\phi$ 1,0 - .039 - 30A
4	19683	52880	Electrode HD, 30-50A - Hf.
5	20463	80003	Swirl baffle, 6 Holes
6	19682	51330	Tip HD, 6 Stakes, $\phi$ 0.96 - .038 - 30A
	20079	51331	Tip, 6 Stakes, $\phi$ 1.35 - .053 - 50A
7	20862	52881	Electrode - Hf.
8	20860	51335/TD	Tip, $\phi$ 0.96 - .038 - 30A
	21008	51336/TD	Tip, $\phi$ 1.07 - .042 - 40A
	20861	51337/TD	Tip, $\phi$ 1.17 - .046 - 50A
9	18204	80001	Shield cup

**ESAB® (L-TEC®)**

**PT - 121**



Item	Ref.	Code	Description
1	17119	51167	Tip $\phi$ 1,19 - .047, 50 A.
	999263	51168	Tip $\phi$ 1,42 - .056, 120 A.
	999264	51169	Tip $\phi$ 1,60 - .062, 150 A.
2	999261	80008	Heat shield

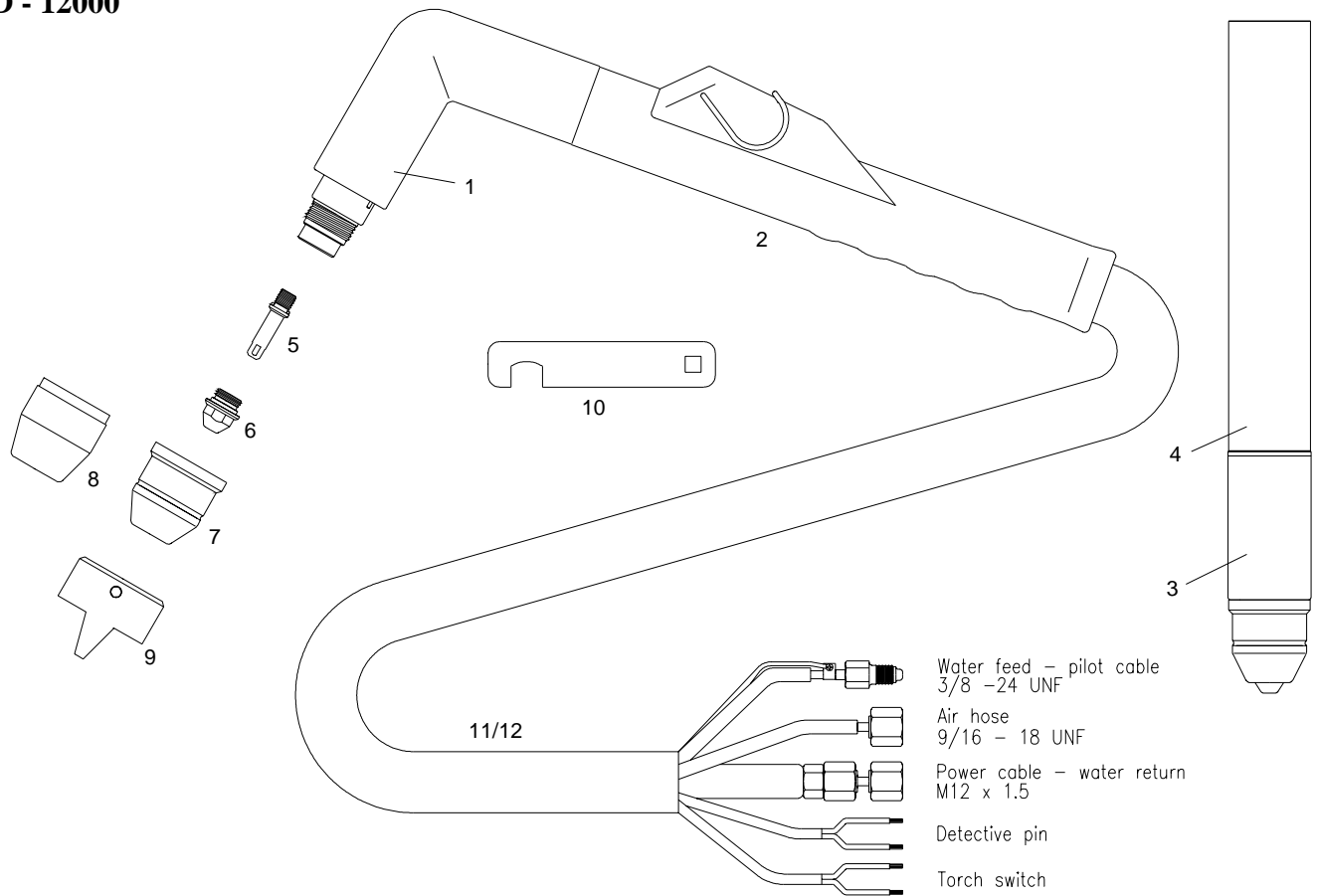
**UNION CARBIDE®**

**PT/M - 100**



Item	Ref.	Code	Description
1	1340343	51219	Tip $\phi$ 1,4
	1340369	51220	Tip $\phi$ 1,6
	1340370	51221	Tip $\phi$ 2,0
	1340370-25	51222	Tip $\phi$ 2,5
2	1340328	51224	Tip $\phi$ 1,4
	1340329	51225	Tip $\phi$ 1,6

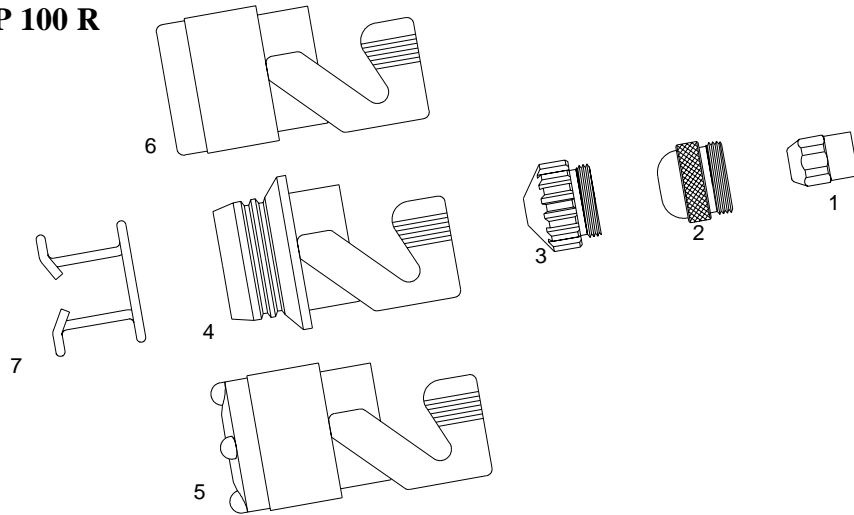
**OTC®  
D - 12000**



Item	Ref.	Code	Description
		07820	Hand torch complete with 6 mts. cable
		07830	Hand torch complete with 12 mts. cable
		07840	Machine torch complete with 6 mts. cable
		08730	Machine torch complete with 6 mts. shielded cable
		07850	Machine torch complete with 12 mts. cable
		08736	Machine torch complete with 12 mts. shielded cable
1		07801	Hand torch head complete with handle and consumables
2		04280/C	Handgrip with microswitch
3		07811	Machine torch head complete with handle and consumables
4		07215	Machine handle
5	H839M00	52750/T	Electrode, Teflon wrapped
6	H839K03	51269	Tip ø 0.8 30A
	H839K02	51270	Tip ø 1.0 50A
	H839K01	51271	Tip ø 1.3 80A
	H839G03	51272	Tip ø 1.6 120A
7		80054	Ceramic shield cup
		60354	Teflon shield cup
8	H839G02	80057	Shield cup (for genuine torch head only)
9		60374	Double pointed spacer
10		07800.57	Wrench for tip and electrode
11		07880	Complete cable - 6 mts. - Hand torch
		07885	Complete cable - 12 mts. - Hand torch
12		07890	Complete cable - 6 mts. - Machine torch
		08742	Complete shielded cable - 6 mts. - Machine torch
		07895	Complete cable - 12 mts. - Machine torch
		08748	Complete shielded cable - 12 mts. - Machine torch

\* CIRCLECUTTING ATTACHMENT : See page # 70

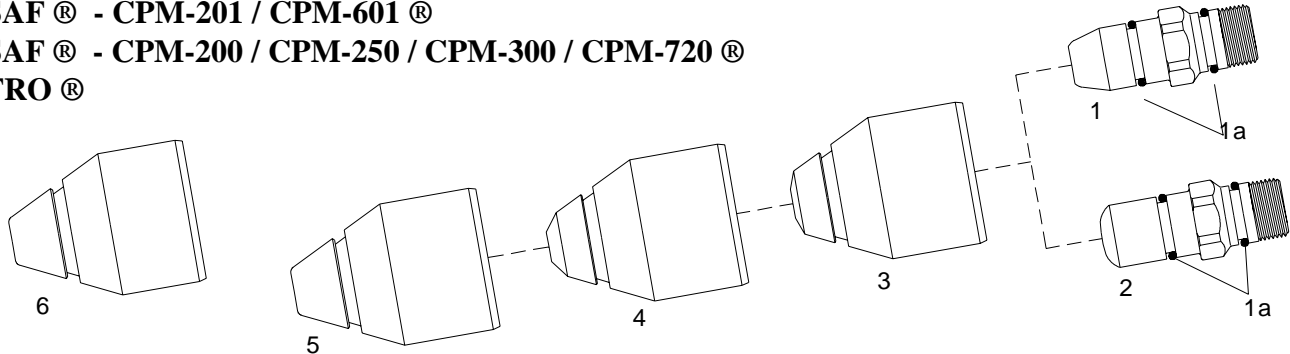
**SAF® CP 40 R - CP 100 R**  
**FRO®**



Item	Ref.	Code	Description
1	0408-2051	52014	Electrode - Zr.
	0408-2404	52514	Electrode - Hf.
2	0408-2052	51103	Tip 20/40
3	0408-2261	51104	Tip ø 1,0
	0408-2262	51105	Tip ø 1,2
	0408-2385	51118	Tip ø 1,6
4	0408-2267	60426	TN Protection nozzle guide
5	0408-2405	60427	TI Ceramic assembly with bosses
6	0408-2268	60428	TI Ceramic guide
7	0408-2053	51901	Spacer spring

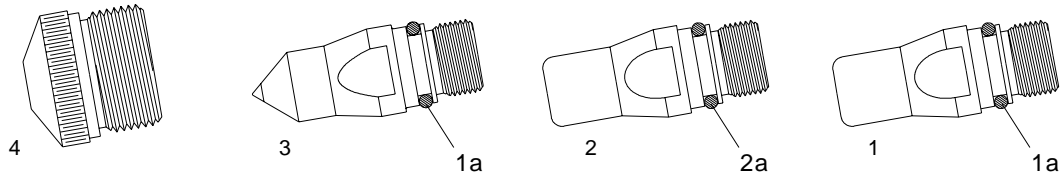
\* CIRCULCUTTING ATTACHMENT : See page # 71

**SAF® - CPM-201 / CPM-601®**  
**SAF® - CPM-200 / CPM-250 / CPM-300 / CPM-720®**  
**FRO®**



Item	Ref.	Code	Description
1	0408-1482	52597	Flat Electrode H2 hafnium (XF)
	0408-1482AG	52597AG	Flat Electrode H2 hafnium <b>Solid Silver</b>
	0409-2074	52597W	Flat Electrode W2 Tungsten
1a	0408-1283	20595.41	O-Ring ø 8 x 1.25 Nitrile
2	0409-2095	52598	Flat Electrode H25 hafnium (XF)
	0409-2095AG	52598AG	Flat Electrode H25 hafnium <b>Solid Silver</b>
3	0409-2071	51603	Tip 30A, O2
4	0409-2072	51604	Tip 60A, O2
5	0409-2073	51605.13	Tip 90A, O2
	0409-2076	51605.16	Tip 120A, O2
	0409-1278	51605.18	Tip 150A, O2
	0409-1279	51605.20	Tip 180A, O2
		51605.22	Tip 240A, O2 ( 0409-1280 hold style)
	0409-1280	51605.25	Tip 250A, O2
6	0409-1350	51606.30	Tip 320A, N2
	0409-1351	51606.35	Tip 500A, N2
	0409-1352	51606.40	Tip 640A, N2

**SAF® CPM 15**  
**FRO®**



Item	Ref.	Code	Description
1	0409-1204	52592	Electrode, Air
1a		20592.41	O-Ring Nitrile Black
2	0409-1205	52593	Electrode, N <sub>2</sub> (XF)
2a		07100.47	O-Ring Silicone Red
3	0409-1206	52594	Electrode, Ar/H
4	0409-1210	51615.10	Tip 40A
	0409-1212	51615.12	Tip 60A
	0409-1216	51615.16	Tip 100A
	0409-1218	51615.18	Tip 150A

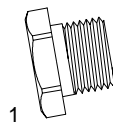
**SAF® P30D® CPM-201 / CPM-601® / CPM-250 / CPM-300 / CPM-720®**  
**FRO®**



FOR USE WITH POINTED ELECTRODE

Item	Ref.	Code	Description
1	0409-2091	51119.10	Tip ø 1,0 30A 16X1
	0409-2092	51119.12	Tip ø 1,2 60A 16X1
	0409-2093	51119.14	Tip ø 1,4 90A 16X1
	0408-1055	51119.15	Tip ø 1,5 (FRO 2593861)
	0409-2096	51119.16	Tip ø 1,6 120A 16X1
	0408-1056	51119.18	Tip ø 1,8 150A 16X1 (FRO 2593853)
	0408-1052	51119.20	Tip ø 2,0 180A 16X1 (FRO 2593846)
	0408-1053	51119.25	Tip ø 2,5 200A 16X1 (FRO 2593838)
	0408-1078	51119.27	Tip ø 2,7 250A 16X1
	0408-1054	51119.30	Tip ø 3,0 320A 16X1 (FRO 2593820)
2	0408-1345	51119.30/W	Tip ø 3.0 400A 16X1
	0408-1346	51119.35/W	Tip ø 3.5 500A 16X1
	0408-1347	51119.40/W	Tip ø 4.0 600A 16X1
	0408-1348	51119.45/W	Tip ø 4.5 750A 16X1

**SAF® CPM-200®**  
**FRO®**

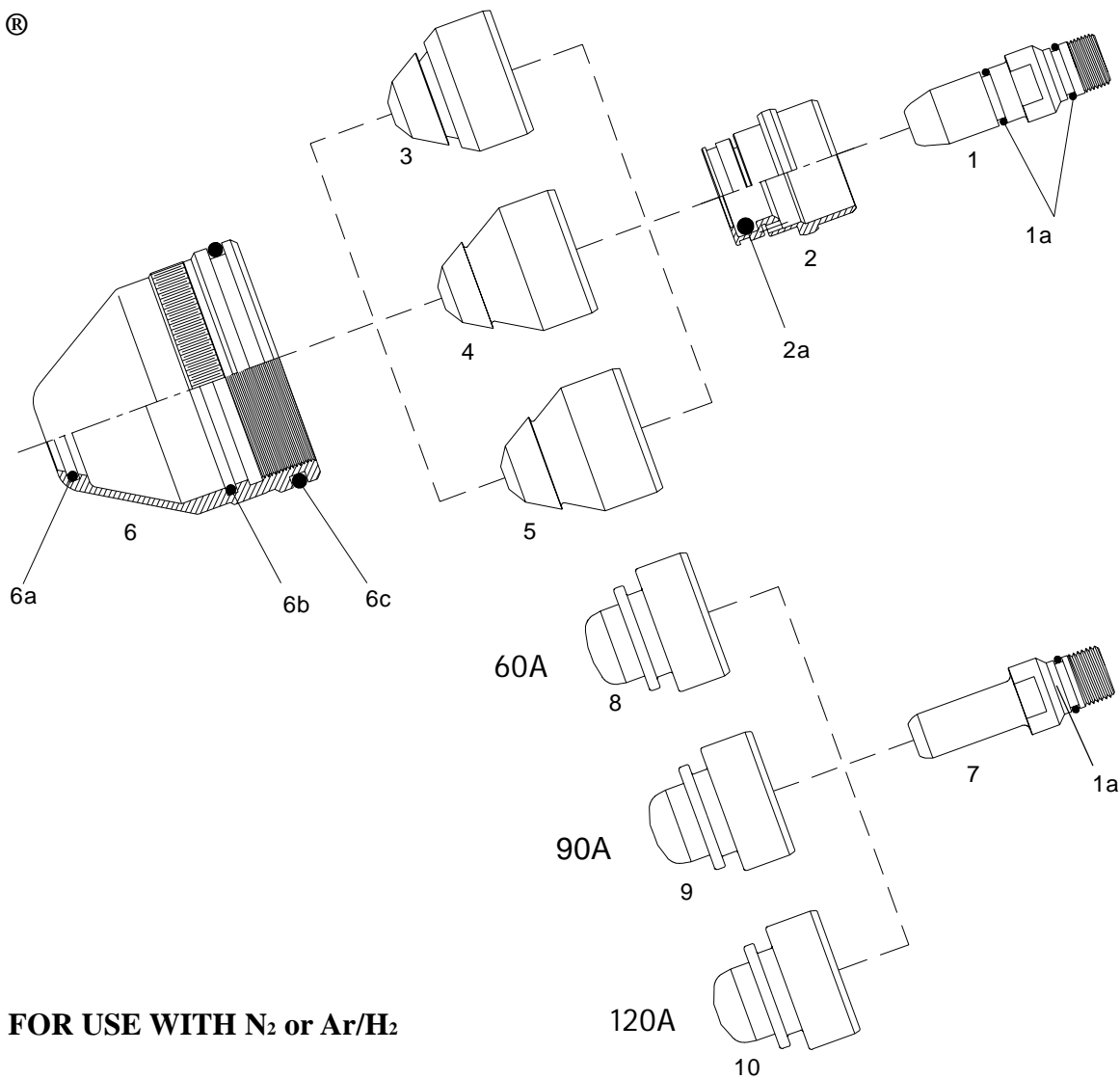


FOR USE WITH POINTED ELECTRODE

Item	Ref.	Code	Description
1	0408-0915	51610.15	Tip ø 1,5 (FRO 2596252)
	0408-0918	51610.18	Tip ø 1,8 (FRO 2596260)
	0408-0920	51610.20	Tip ø 2,0 (FRO 2596278)
	0408-0925	51610.25	Tip ø 2,5 (FRO 2596286)
		51610.30	Tip ø 3,0

**SAF® - OCP-150®**

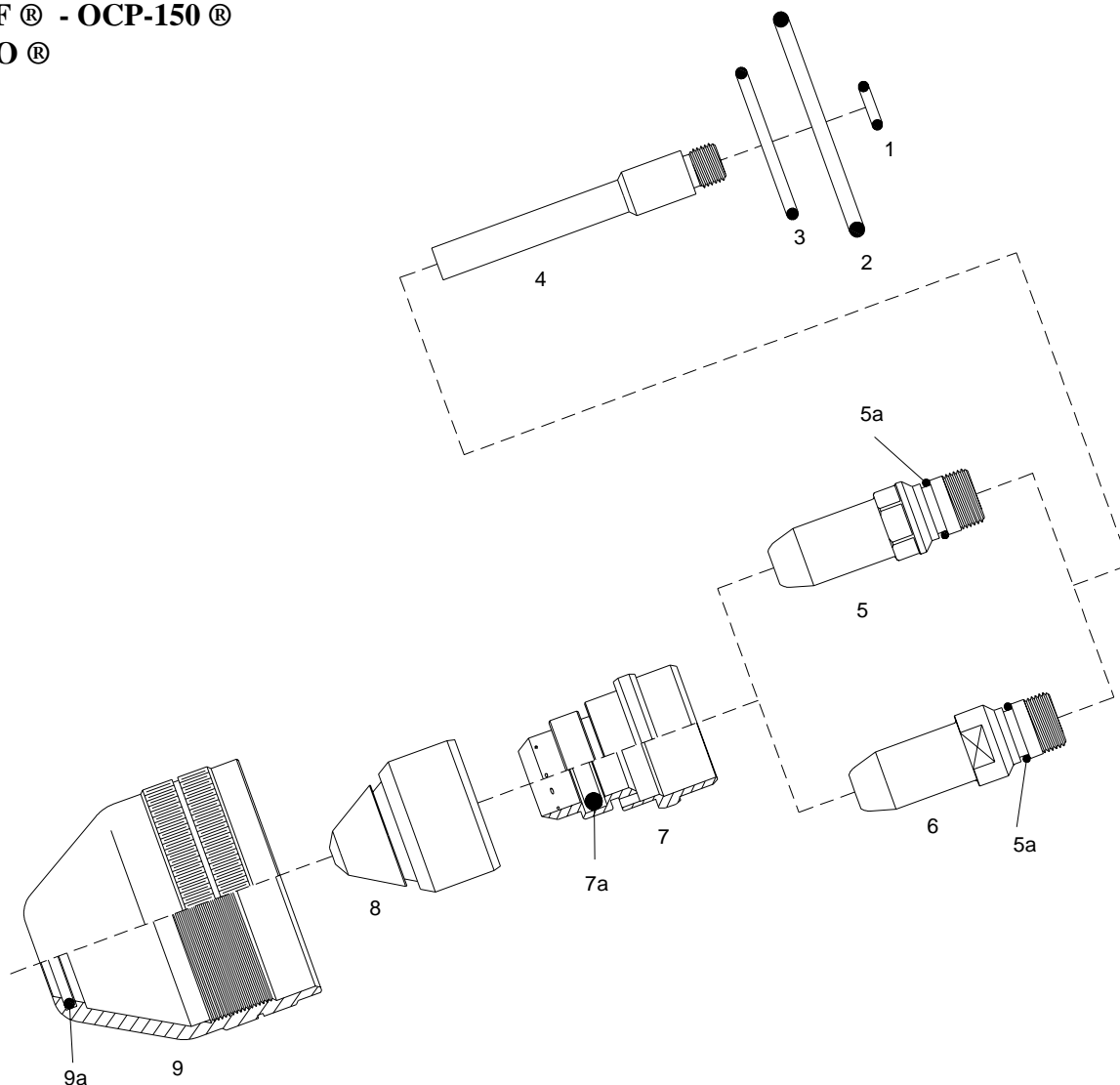
**FRO®**



**FOR USE WITH N<sub>2</sub> or Ar/H<sub>2</sub>**

Item	Ref.	Code	Description
1	0409-2194	52596W	Electrode (W15), N2 Ar/H2 <b>(XF)</b> (replaces 0409-2295 and 0409-2285) (FRO 2594128)
1a	0408-1283	20595.41	O-Ring ø 8 x 1.25 Nitrile
2	0409-2209	60605	Diffusor (NL), N2 Ar/H2 (FRO 2594014)
2a	0409-2168	60601.41	O-Ring ø 10 x 3 Silicone
3	0409-2231	51700	Tip 15A, (N15), N2 (FRO 2594220)
	0409-2233	51701	Tip 30A, (N30), N2 (FRO 2594221)
	0409-2234	51702	Tip 40A, (N40), N2 (FRO 2594222)
	0409-2236	51703	Tip 60A, (N60), N2 (FRO 2594223)
4	0409-2239	51705	Tip 90A, (N90), N2 (FRO 2594224)
	0409-2240	51706	Tip 120A, (N120), N2 (FRO 2594225)
5	0409-2249	51708	Tip 90A, (A90), Ar/H2 (FRO 2594240)
	0409-2250	51709	Tip 120A, (A120), Ar/H2 (FRO 2594241)
6	0409-2210	60606	Nozzle retaining cap, N2 Ar/H2 (FRO 2594005)
6a	0409-2187	60606.41	O-Ring ø 14 x 1.78 EPDM
6b	0409-2188	60606.42	O-Ring ø 37.8 x 1.78 Nitrile
6c	0409-2189	60606.43	O-Ring ø 42.5 x 2.62 Nitrile
7	0409-2395	52589W	Electrode WT15
8	0409-2416	51717	Tip 60A - T60 - INOX
9	0409-2419	51718	Tip 90A - T90 - INOX
10	0409-2420	51719	Tip 120A - T120 - INOX

**SAF® - OCP-150®  
FRO®**

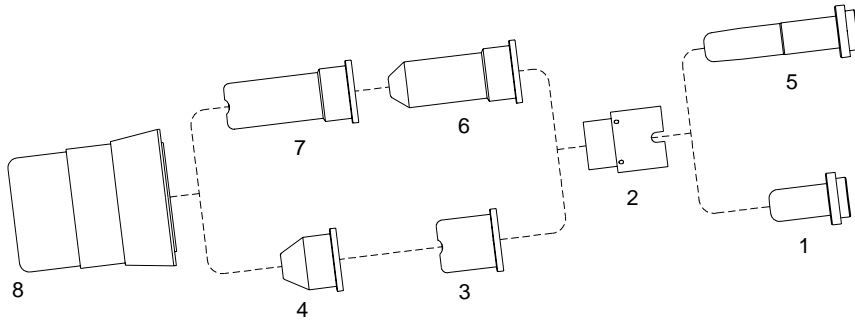


**FOR USE WITH O<sub>2</sub>**

Item	Ref.	Code	Description
1	0408-1238	60600.44	O-Ring ø 5.28 x 1.78 Nitrile
2	0408-1282	60600.43	O-Ring ø 36.17 x 2.62 Nitrile
3	0408-1284	60600.42	O-Ring ø 24 x 2 Nitrile
4	0409-2154	60602	Diffusor
5	0409-2184	52595	Electrode
5a	0408-1283	20595.41	O-Ring ø 8 x 1.25 Nitrile
6	0409-2185	52596	Electrode - HX5 (XF) (replaces 0409-2195)
	0409-2185	52596AG	Electrode - HX5 - <b>Solid Silver</b>
7	0409-2170	60601	Swirl ring OCPVD6, 60A,
	0409-2169	60603	Swirl ring OCPVD15, 120A,
7a	0409-2168	60601.41	O-Ring ø 10 x 3 Silicone
8	0409-2171	51601.05	Tip 15A,
	0409-2173	51600.07	Tip 30A,
	0409-2174	51600.08	Tip 40A,
	0409-2176	51600.10	Tip 60A,
	0409-2183	51600.13	Tip 90A,
	0409-2186	51600.16	Tip 120A,
9	0409-2166	60600	Nozzle retaining cap
9a	0409-2167	60600.41	O-Ring ø 15 x 1.78 EPDM

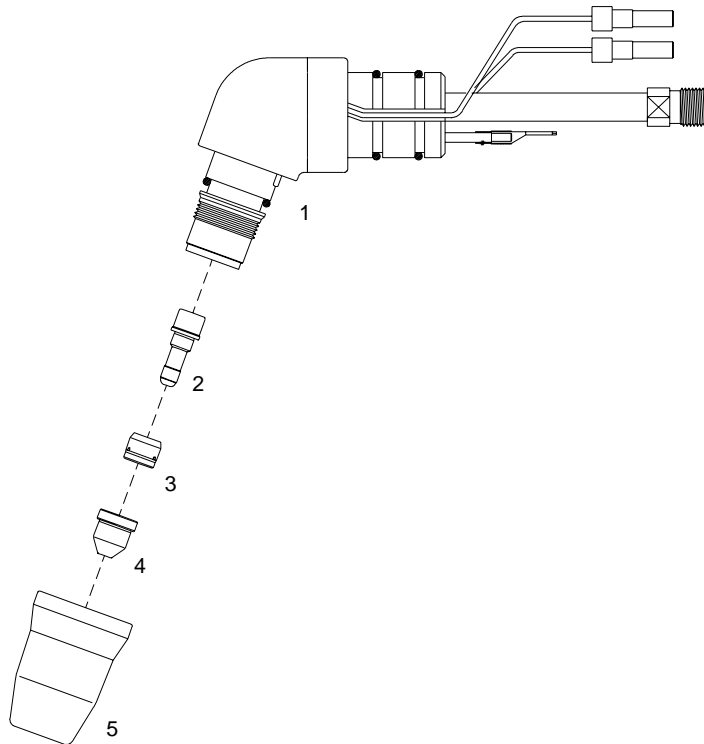
(FRO 2594103)

**CEBORA ® P 30 ®**  
**ART. 920 - 925 - 936**



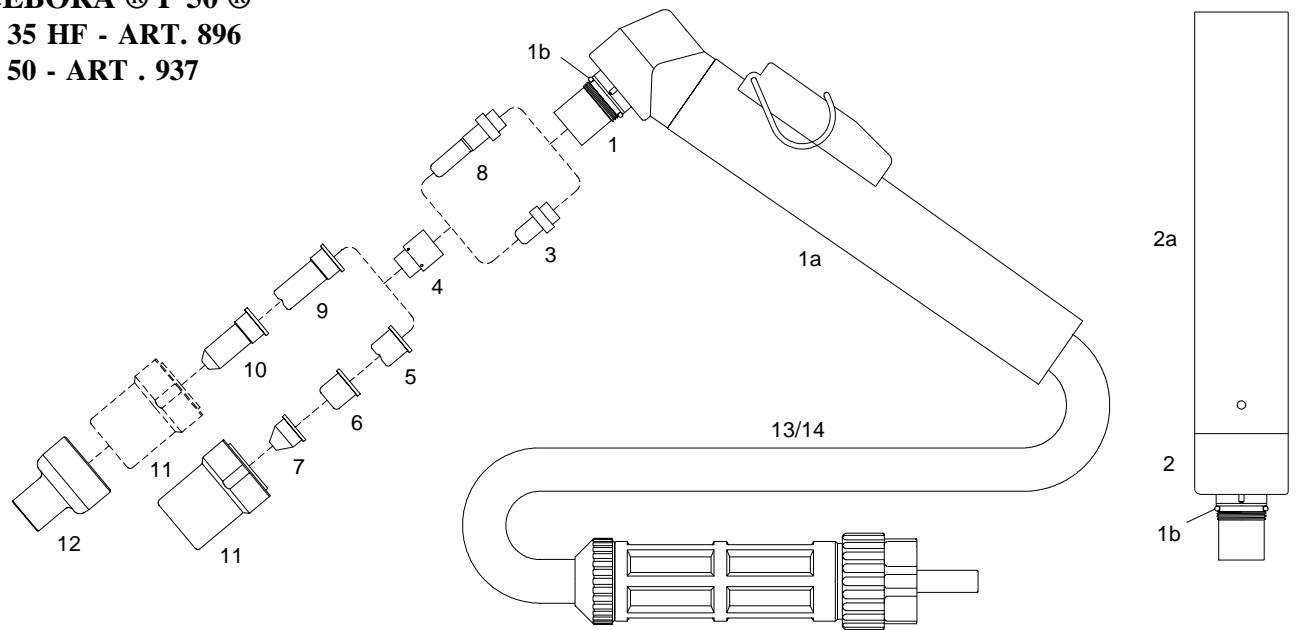
Item	Ref.	Code	Description
1	1520- Zr	52010	Electrode - Zr.
	1520- Hf	52510	Electrode - Hf.
2	1510	60002	Swirl ring
3	1304	51100	Tip
4	1305	51098	Conical tip (Lo - Amp.)
5	1519- Zr	52011	Long electrode - Zr.
	1519- Hf	52511	Long electrode - Hf.
6	1306	51101	Long conical tip (Lo - Amp.)
7	1370	51102	Long tip
8	5.710.120	60321	Nozzle retaining cap

**CEBORA ® CP-40 ®**



Item	Ref.	Code	Description
1	1359	01040	Hand torch head
2	1516	52545	Electrode
3	1507	60007	Swirl ring
4	1290	51086	Tip ø 0.7
5	1906	60323	Nozzle retaining cap

**CEBORA ® P 50 ®**  
**P 35 HF - ART. 896**  
**P 50 - ART . 937**

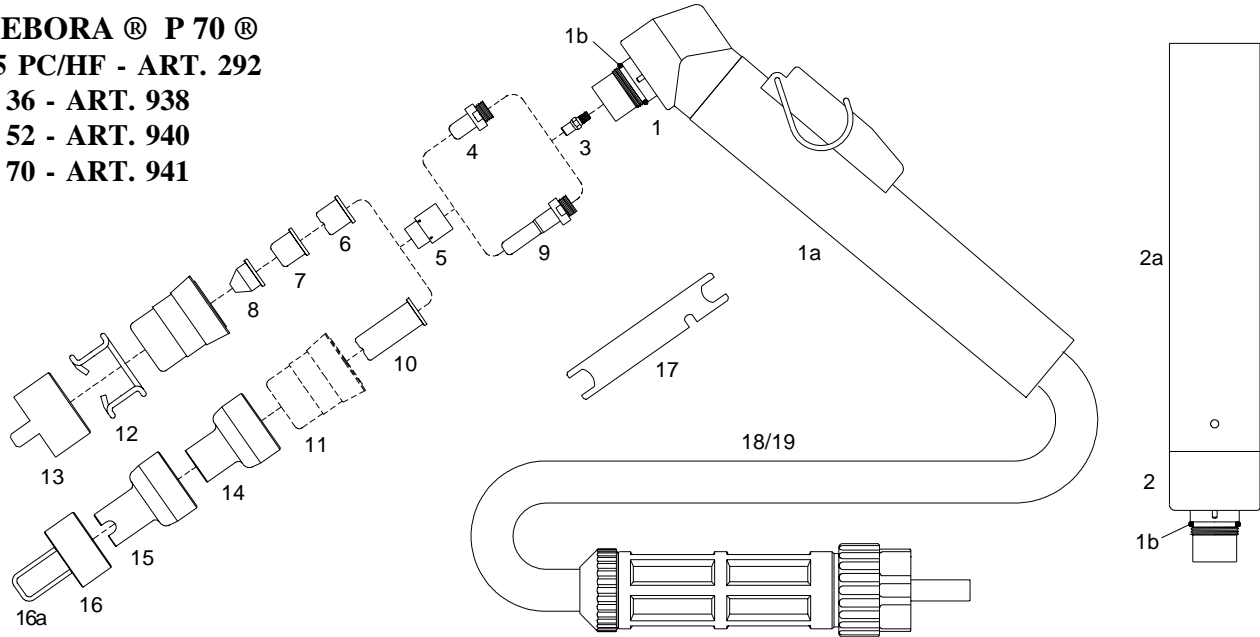


Item	Ref.	Code	Description
	1526	03050/C	Hand torch complete with 6 mts cable (1/8" connection)
	1574	03051/C	Hand torch complete with 6 mts cable (central connector)
		03150/C	Hand torch complete with 12 mts cable (1/8" connection)
		03151/C	Hand torch complete with 12 mts cable (central connector)
		03400	Machine torch complete with 6 mts cable (1/8" connection)
		03401	Machine torch complete with 6 mts cable (central connector)
		03500	Machine torch complete with 12 mts cable (1/8" connection)
		03501	Machine torch complete with 12 mts cable (central connector)
1	1352	01000	Hand torch head
1a	1356	03280/C	Handgrip with microswitch
1b		01000.60	O - Ring
2		03300	Machine torch head
2a		03310	Machine handle
3	1521- Zr	52012	Electrode - Zr.
	1521- Hf	52512	Electrode - Hf.
4		60001	Swirl ring
5	1304	51100	Tip $\phi$ 1.0
	1396	51095	Tip long life $\phi$ 1.0
		51100/S	Tip long life $\phi$ 1.1
6		51099	Flat tip $\phi$ 1.0.
7	1305	51098	Conical tip $\phi$ 1.0 (Lo - Amp.)
8	1518- Zr	52013	Extended electrode - Zr.
	1518- Hf	52513/L	Extended electrode - Hf.
9	1370	51102	Extended tip, $\phi$ 1.0
	1395	51095/L	Extended tip, long life $\phi$ 1.0
		51102/S	Extended tip, long life $\phi$ 1.1
10	1306	51101	Extended conical tip $\phi$ 1.0 (Lo - Amp.)
11	5.710.121	60320	Nozzle retaining cap
12		51965	Shield cup, hand ( for extended tips 51095/L, 51102/S and 51101 )
13	1344	03240	Air and power cable 6 mts 1/8" - Hand torch
		03250	Air and power cable 12 mts 1/8" - Hand torch
14		03320	Air and power cable 6 mts 1/8" - Machine torch
		03330	Air and power cable 12 mts 1/8" - Machine torch

\* CIRCLOCUTTING ATTACHMENT : See page # 70



**CEBORA® P 70®**  
**35 PC/HF - ART. 292**  
**P 36 - ART. 938**  
**P 52 - ART. 940**  
**P 70 - ART. 941**



Item	Ref.	Code	Description
	1564	03070/CS	Hand torch complete with 6 mts cable ( 1/8" connection )
	1573	03071/CS	Hand torch complete with 6 mts cable ( central connector )
	1573.20	03171/CS	Hand torch complete with 12 mts cable ( central connector )
	1563	03470/S	Machine torch complete with 6 mts cable ( 1/8" connection )
	1566	03471/S	Machine torch complete with 6 mts cable ( central connector )
	1566.20	03571/S	Machine torch complete with 12 mts cable ( central connector )
1	1351	01070	Hand torch head
1a	1356	03280/C	Handgrip with microswitch
1b	3.160067	01000.60	O - Ring
2	1349	03370	Machine torch head
2a	3.055.623	03310	Machine handle
3	3.065204	01070.42	Diffusor
4	1402	52551	Electrode
5		60001	Swirl ring
6	1309	51100.09	Tip $\phi$ 0.9 - 35A
	1396	51095	Tip long life $\phi$ 1.0 - 50A
		51100/S	Tip long life $\phi$ 1.1 - 60A
		51096	Tip long life $\phi$ 1.2 - 70A
7	1308	51100.12	Tip $\phi$ 1.2 - 70A
		51099	Flat tip $\phi$ 1.0
		51099.12	Flat tip $\phi$ 1.2
8	1305	51098	Conical tip $\phi$ 1.0 (Lo - Amp.)
		51098.12	Conical tip $\phi$ 1.2
9	1368	52553	Extended electrode
10	1366	51102.09	Extended tip $\phi$ 0.9 - 35A
	1395	51095/L	Extended tip long life $\phi$ 1.0 - 50A
		51102/S	Extended tip long life $\phi$ 1.1 - 60A
		51096/L	Extended tip long life $\phi$ 1.2 - 70A
11	5.710.171	60321	Nozzle retaining cap
12	1394	51901	Spacer spring
13	1405	60367	Double pointed spacer
14		51970	Shield cup, hand (for extended tips 51102.09 and 51095/L)
15		51971	Spacer for contact cutting, hand (for extended tips 51102/S and 51096/L)
16		60382	Spacer complete with springs
16a		60383	Spare springs ( 20 pcs. )
17	3.045.012	60368	Wrench for electrode
18	1344	03240/S	Air and power cable 6 mts 1/8" - Hand torch
		03250/S	Air and power cable 12 mts 1/8" - Hand torch
19		03320/S	Air and power cable 6 mts 1/8" - Machine torch
		03330/S	Air and power cable 12 mts 1/8" - Machine torch

\* CIRCLeCUTTING ATTACHMENT : See page # 70

**CEBORA® CP 90® - CP 91®**

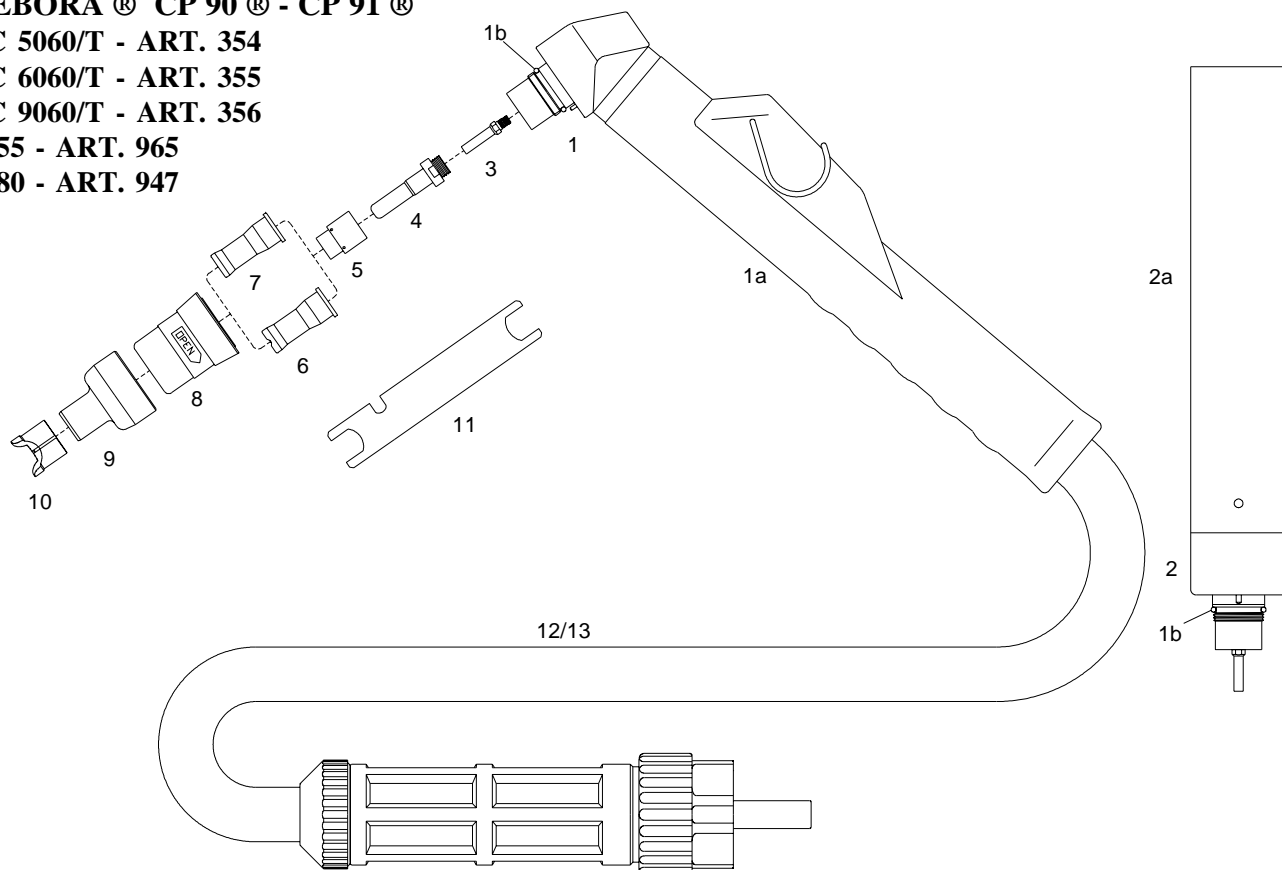
**PC 5060/T - ART. 354**

**PC 6060/T - ART. 355**

**PC 9060/T - ART. 356**

**P 55 - ART. 965**

**P 80 - ART. 947**

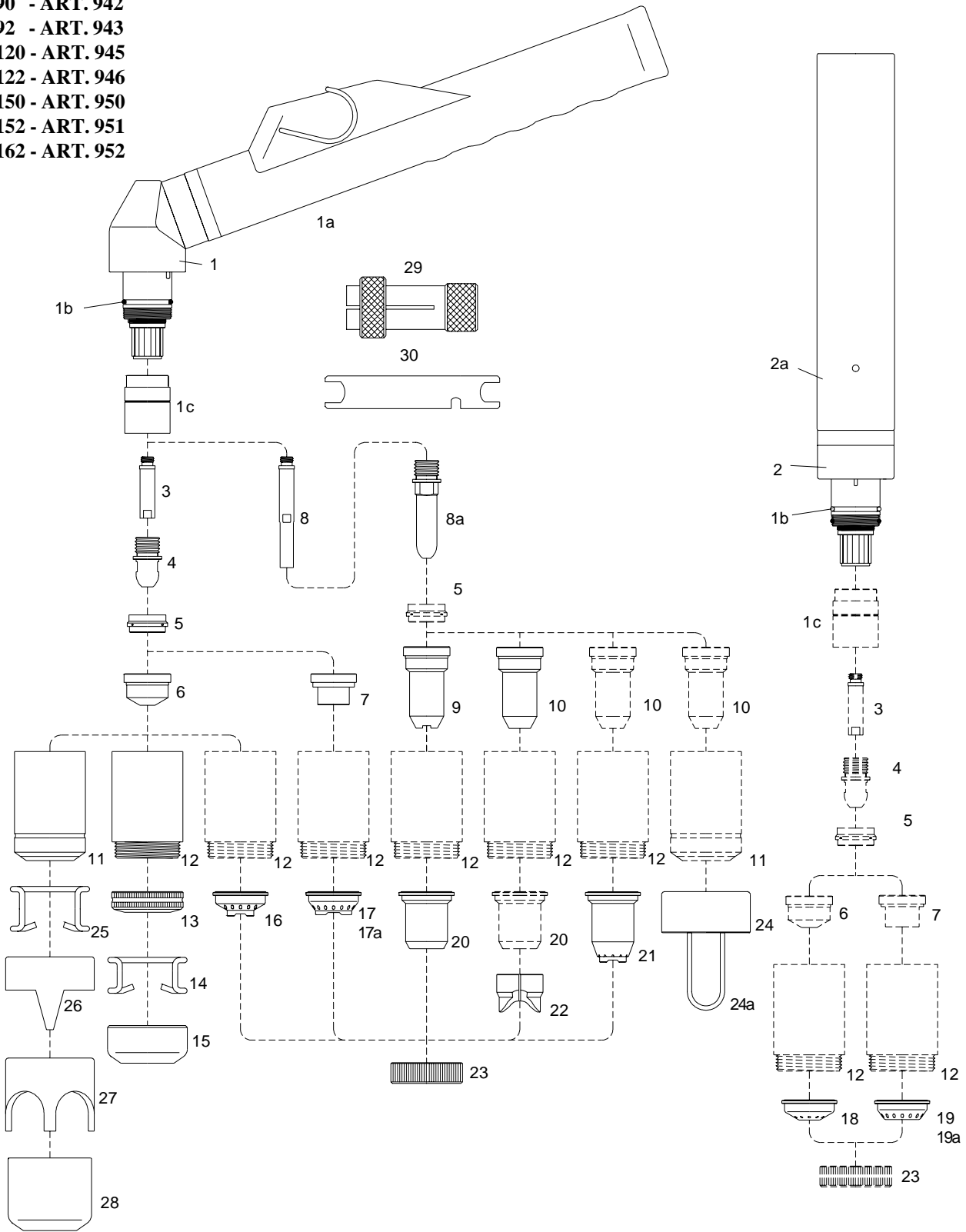


Item	Ref.	Code	Description
	1214	03091/CS	Hand torch complete with 6 mts cable ( central connector )
	1214.20	03191/CS	Hand torch complete with 12 mts cable ( central connector )
	1218	03491/S	Machine torch complete with 6 mts cable ( central connector )
	1218.20	03591/S	Machine torch complete with 12 mts cable ( central connector )
	1215	03090/CS	Hand torch complete with 6 mts cable ( 1/8" connection )
1	1358	01090	Hand torch head
1a		04280/C	Handgrip with microswitch
1b	3.160.067	01000.60	O - Ring
2	1348	03390	Machine torch head
2a	3.055.623	03310	Machine handle
3		01090.42	Diffusor
4	1368	52553	Electrode
5		60001	Swirl ring
6		51090	Tip long life ø 1.0 - 20-50A (for use with item. 8 only)
7		51092	Tip long life ø 1.2 - 50-70A (for use with item. 8 only)
		51093	Tip long life ø 1.3 - 70-90A (for use with item. 8 only)
8		60322	Nozzle retaining cap (for use with item. 6-7 only)
9		51972	Shield cup, hand
10		51973	Spacer for contact cutting, hand
11	3.045.012	60368	Wrench for electrode
12		03093/S	Air and power cable 6 mts 1/8" - Hand torch ( central connector )
		03193/S	Air and power cable 12 mts 1/8" - Hand torch ( central connector )
13		03493/S	Air and power cable 6 mts 1/8" - Machine torch ( central connector )
		03593/S	Air and power cable 12 mts 1/8" - Machine torch ( central connector )
N/S		03240/S	Air and power cable 6 mts 1/8" - Hand torch ( 1/8" connection )

\* CIRCLECUTTING ATTACHMENT : See page # 70

**CEBORA® P150® - CP 160®**

- P 90 - ART. 942
- P 92 - ART. 943
- P 120 - ART. 945
- P 122 - ART. 946
- P 150 - ART. 950
- P 152 - ART. 951
- P 162 - ART. 952



**Complete Torches for CP 160®**

Item	Ref.	Code	Description
	1226	04053/CS	Hand torch complete with 6 mts cable (central connector)
	1226.20	04153/CS	Hand torch complete with 12 mts cable (central connector)
	1228	08679	Machine torch complete with 6 mts shielded cable (central connector)
	1228.20	08685	Machine torch complete with 12 mts shielded cable (central connector)

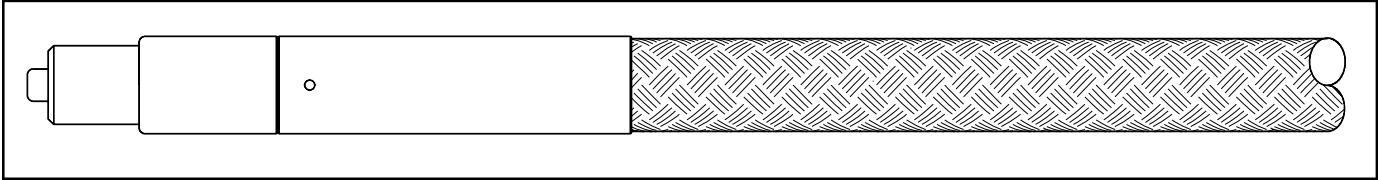
**CEBORA ® P150 ® - CP 160 ®**

Item	Ref.	Code	Description
	1571	04050/CS	Hand torch complete with 6 mts cable (1/8" connection)
	1576	04051/CS	Hand torch complete with 6 mts cable (central connector)
	1578	04151/CS	Hand torch complete with 12 mts cable (central connector)
	1529	04400/S	Machine torch complete with 6 mts cable (1/8" connection)
	1577	04401/S	Machine torch complete with 6 mts cable (central connector)
	1579	04501/S	Machine torch complete with 12 mts cable (central connector)
1	1353	02000	Hand torch head
1a		04280/C	Handgrip with microswitch
1b	1398	02000.60	O - Ring
1c		60080	Front insulator
2	1354	04300	Machine torch head
2a	3.055.623	03310	Machine handle
3	1378	05004	Diffusor
4	1376	52540	Electrode
5	1377	60020	Swirl ring
6	1371	51140/S	Tip long life ø 1,1
	1372	51141/S	Tip long life ø 1,35
	1373	51142/S	Tip long life ø 1,6
	1374	51143/S	Tip long life ø 1,8
	1375	51144	Gouging tip ø 3,0
7		51410	Contact tip ø 1,35
		51411	Contact tip ø 1,6
		51412	Contact tip ø 1,8
8		05005	Extended Diffusor
8a	1517	52549	Extended electrode
9	1369	51148	Contact extended tip max. 50A
10		51148.13	Extended tip ø 1,35 - 90A
		51148.16	Extended tip ø 1,6 - 120A
		51148.18	Extended tip ø 1,8 - 150A
11	1389	60330	Nozzle retaining cap
12		60350	Contact nozzle retaining cap,
		60350/V	Contact nozzle retaining cap, Max.life
13		51952	Spring holder protection nut
14		51911	Spacer spring for code 51952
15		51953	Gouging spacer
16		51950	Spacer for contact cutting, hand
17		51930	Spacer for contact cutting, hand
17a		51920	Spacer for contact cutting, hand
18		51951	Shield cup, machine
19		51935	Shield cup, machine
19a		51925	Shield cup, machine
20		51957	Shield cup, hand ( max. 50A )
21		51958	Spacer for contact cutting, hand
22		51974	Spacer for extended tips High Amp.
23		51959	Locking nut
24		60380	Spacer complete with springs
24a		60381	Spare springs
25	1386	51910	Spacer spring
26	1408	60370	Double pointed spacer
27		60371	Crown spacer
28	1406	60373	Gouging spacer
29	1509	60369	Extractor for swirl ring
30	3.045.010	60368	Wrench for electrode
		04240/S	Air and power cable 6 mts 1/8" - Hand torch
		04250/S	Air and power cable 12 mts 1/8" - Hand torch
		04320/S	Air and power cable 6 mts 1/8" - Machine torch
		04330/S	Air and power cable 12 mts 1/8" - Machine torch

\* SHIELDEDTORCHES : See page # 66

\* CIRCLECUTTING ATTACHMENT : See page # 70

**MACHINE TORCHES WITH SHIELDED CABLE**



✓ Maschinenbrenner mit Metallgewebeüberzugsschlauch

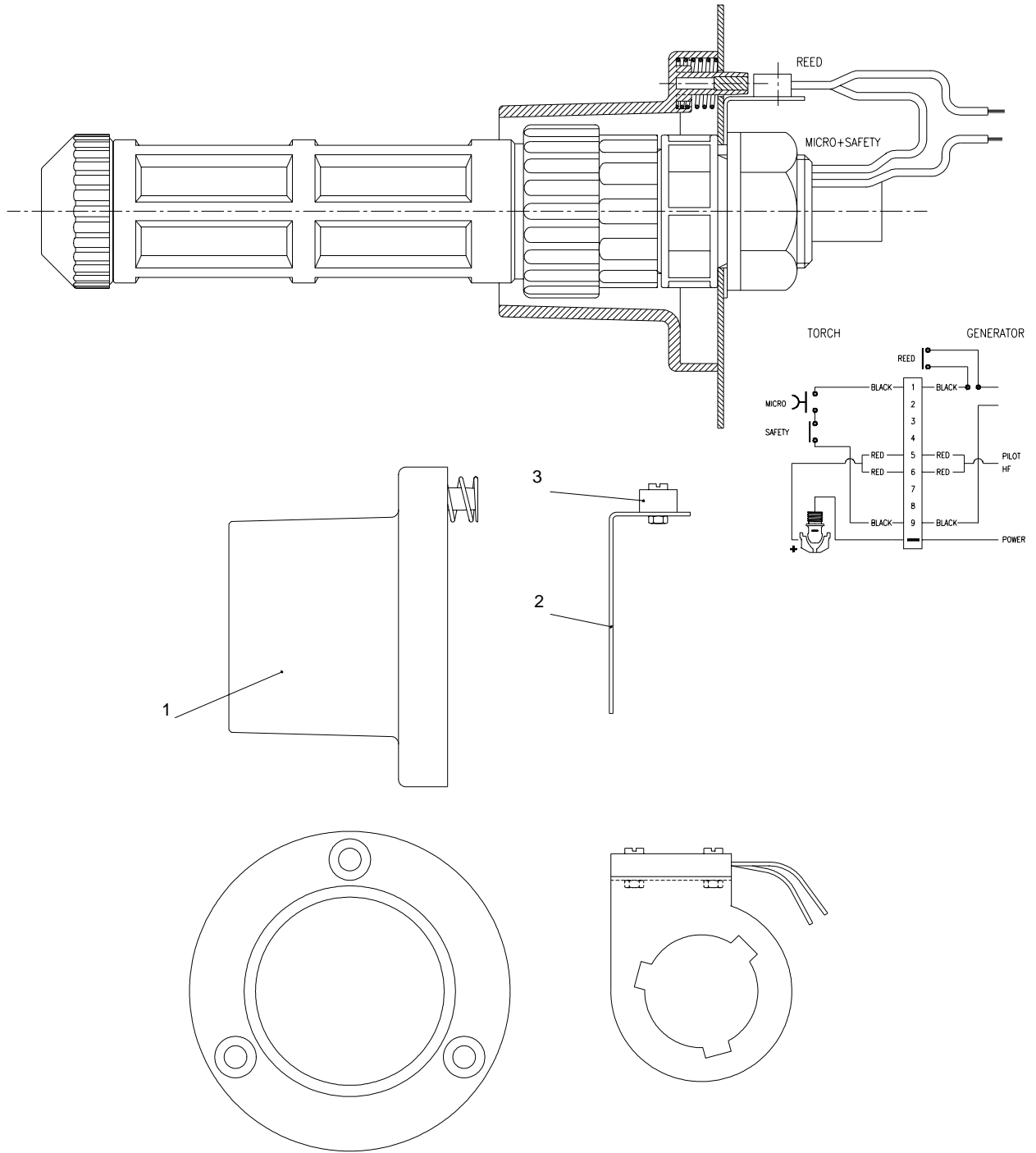
✓ Torches machine avec cable blindé

✓ Antorchas automáticas con cable apantallado

✓ Torce automatica con cavo schermato

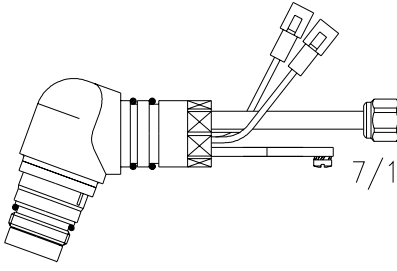
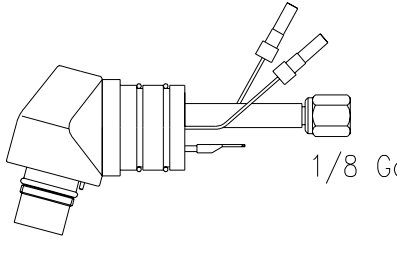
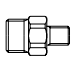
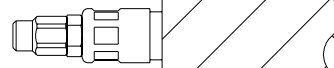
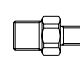
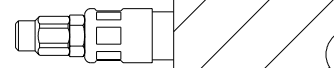
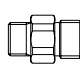
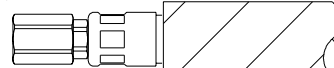
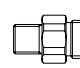
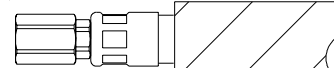
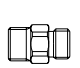
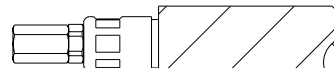
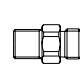
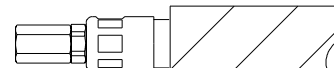
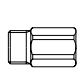
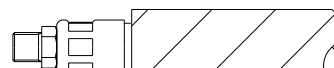
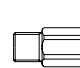
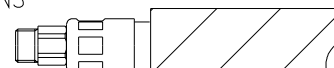
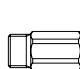
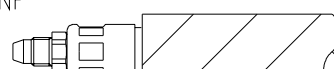
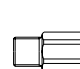
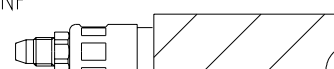
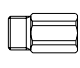

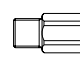

Code	Description
	<b>Suitable for HYPERTHERM ® - MAX 40 ®</b>
08550	Machine torch with 25' shielded cable Ref. 057053
08553	Machine torch with 50' shielded cable Ref. 057054
08556	Air and power shielded cable 25'
08559	Air and power shielded cable 50'
	<b>Suitable for HYPERTHERM ® - MAX 80/100 ®</b>
08570	Machine torch with 25' shielded cable Ref. 059008
08573	Machine torch with 50' shielded cable Ref. 059009
08576	Air and power shielded cable 25'
08579	Air and power shielded cable 50'
	<b>Suitable for EWS ® EX 100 / EX 100 M / EX 100 M-3V</b>
08650	Machine torch with 6m shielded cable (1/8" connection)
08653	Machine torch with 6m shielded cable (central connector)
08656	Machine torch with 12m shielded cable (1/8" connection)
08659	Machine torch with 12m shielded cable (central connector)
08662	Air and power shielded cable 6m 1/8"
08665	Air and power shielded cable 12m 1/8"
	<b>Suitable for EWS ® EX 100 RF</b>
08734	Machine torch with 6m shielded cable (central connector, 5pins)
08740	Machine torch with 12m shielded cable (central connector, 5pins)
08746	Air and power shielded cable 6m 1/8" (central connector, 5pins)
08752	Air and power shielded cable 12m 1/8" (central connector, 5pins)
	<b>Suitable for CEBORA ® P 150</b>
08675	Machine torch with 6m shielded cable (1/8" connection)
08678	Machine torch with 6m shielded cable (central connector)
08681	Machine torch with 12m shielded cable (1/8" connection)
08684	Machine torch with 12m shielded cable (central connector)
08662	Air and power shielded cable 6m 1/8"
08665	Air and power shielded cable 12m 1/8"
	<b>Suitable for TRAFIMET ® - P140</b>
08710	Machine torch with 6m shielded cable (M14 x 1 connection)
08713	Machine torch with 6m shielded cable (central connector, 4 pins)
08716	Machine torch with 12m shielded cable (M14 x 1 connection)
08719	Machine torch with 12m shielded cable (central connector, 4 pins)
08721	Air and power shielded cable 6m M14 x 1
08724	Air and power shielded cable 12m M14 x 1

## SAFETY KIT European Standard

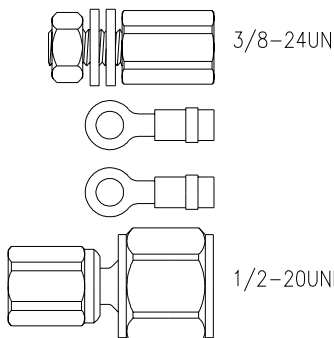
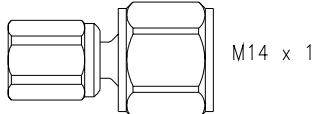
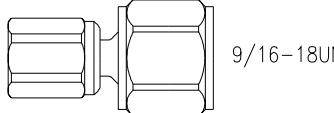
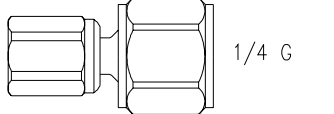
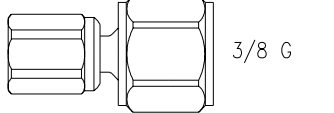
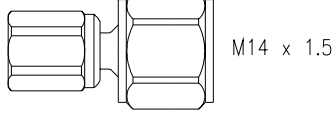
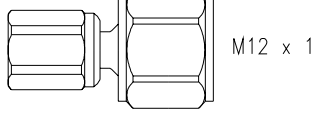


Item	Code	Description
	04268	European Standard safety KIT. - Casing complete with magnet and spring - Anchor bracket for relays - Reed relays - n° 3 screws M5 - n° 3 threaded rivets M5 - n° 2 sets of screws and nuts M3 for relays fixing
1	04268.30	Casing complete with magnet and spring
2	04268.43	Anchor bracket for relays
3	04268.44	Reed relays

**END FITTINGS**

<p><b>Torch head whith 7/16-24 Fitting</b></p>  <p align="right">7/16-24UNS</p>	<p><b>Torch head whith 1/8 Gas Fitting</b></p>  <p align="right">1/8 Gas</p>
<p align="center">1/4-28UNF</p>   <p><b>04293.40</b>      <b>THERMAL DYNAMICS ®</b> <b>PCH-35/40</b></p>	<p align="center">1/4-28UNF</p>   <p><b>04292.40</b>      <b>THERMAL DYNAMICS ®</b> <b>PCH-35/40</b></p>
<p align="center">1/2-24UNS</p>   <p><b>04293.41</b>      <b>THERMAL DYNAMICS ®</b> <b>PCH-51</b></p>	<p align="center">1/2-24UNS</p>   <p><b>04292.41</b>      <b>THERMAL DYNAMICS ®</b> <b>PCH-51</b></p>
<p align="center">M10x1</p>   <p><b>04293.42</b>      <b>TRAFIMET ® 90</b></p>	<p align="center">M10x1</p>   <p><b>04292.42</b>      <b>TRAFIMET ® 90</b></p>
<p align="center">1/8 Gas</p>   <p><b>04293.43</b>      <b>CEBORA ® 50/70/90</b> <b>TRAFIMET ® 60/80</b></p>	<p align="center">7/16-24UNS</p>   <p><b>04292.43</b>      <b>THERMAL DYNAMICS ®</b> <b>PCH-60/75/76/80/100XL/102</b></p>
<p align="center">3/8-24UNF</p>   <p><b>04293.44</b>      <b>CEBORA ® 150</b> <b>TRAFIMET ® 140/145</b> <b>W.T.C. ® - BINZEL ® 30/31</b></p>	<p align="center">3/8-24UNF</p>   <p><b>04292.44</b>      <b>CEBORA ® 150</b> <b>TRAFIMET ® 140/145</b> <b>W.T.C. ® - BINZEL ® 30/31</b></p>
<p align="center">M8</p>   <p><b>04293.45</b>      <b>SAF ® 150</b></p>	<p align="center">M8</p>   <p><b>04292.45</b>      <b>SAF ® 150</b></p>

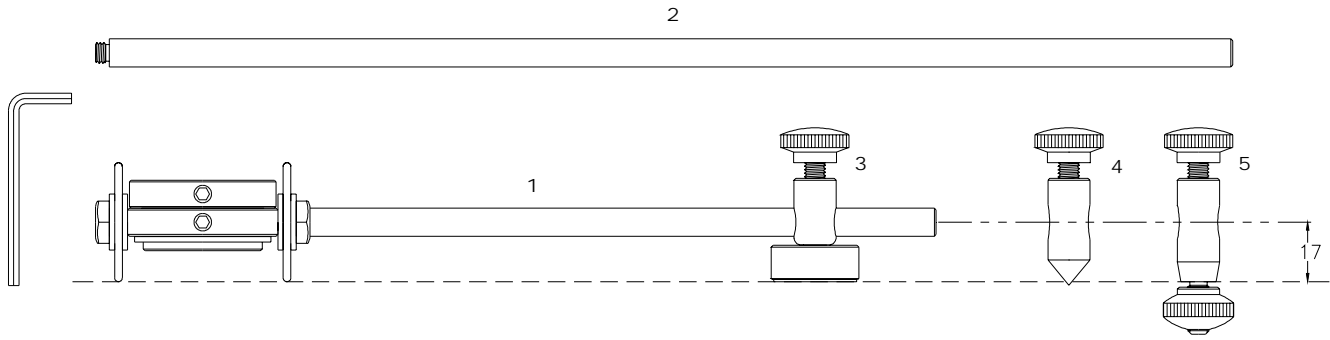
**END FITTINGS**

	Code	Description
 <p>3/8-24UNF</p> <p>1/8 Gas</p> <p>1/2-20UNF</p>	04276	<p>To replace :</p> <p><b>HYPERTHERM ® - MAX 40 - 80/100</b></p> <p><b>ESAB ® - LPC 50 - LPC 100</b></p>
 <p>1/8 Gas</p> <p>M14 x 1</p>	04272	<p>To replace :</p> <p><b>TRAFIMET ® 90 - 140 - R 145</b></p> <p><b>SF - CP 40R - CP 100R</b></p> <p><b>W.T.C. ® - 20 - 120 &amp; 100 - 150</b></p>
 <p>1/8 Gas</p> <p>9/16-18UNF</p>	04275	<p>To replace :</p> <p><b>THERMAL DYNAMICS ®</b></p> <p><b>TELWIN ®</b></p> <p><b>CEM®</b></p>
 <p>1/8 Gas</p> <p>1/4 G</p>	04270	<p>To replace :</p> <p><b>BINZEL ® - PSB 31 - PSB 31 KK - 60 - 80</b></p> <p><b>T.+ B.</b></p> <p><b>AUTOGEN RITTER ® - PHB 120</b></p>
 <p>1/8 Gas</p> <p>3/8 G</p>	04271	<p>To replace :</p> <p><b>TRAFIMET ® - A 53 - S 54 - A 60</b></p> <p><b>BINZEL ® - PSB 30</b></p>
 <p>1/8 Gas</p> <p>M14 x 1.5</p>	04273	<p>To replace :</p> <p><b>HELVI ®</b></p>
 <p>1/8 Gas</p> <p>M12 x 1</p>	04274	<p>To replace :</p> <p><b>TIG</b></p>



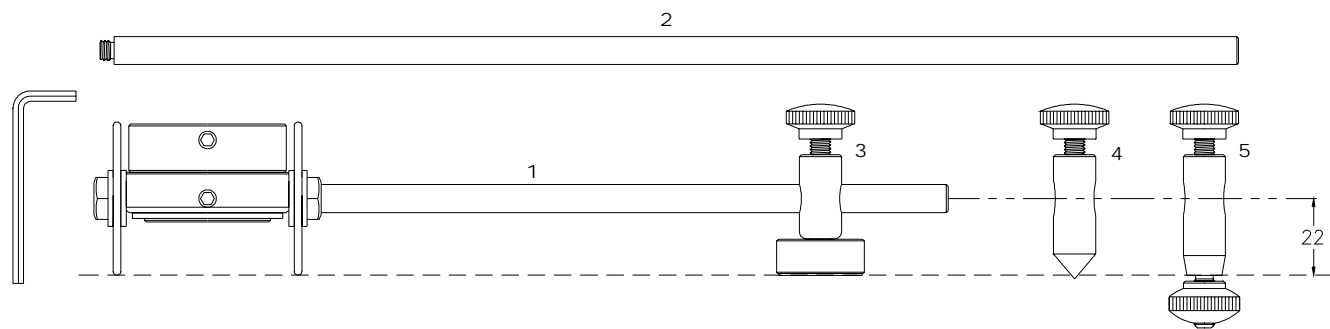
**PLASMA CIRCLE CUTTING ATTACHMENTS SUITABLE FOR**

**CEBORA® - PROF 35 / 50 / 70 / CP90**  
**EWS® - EX 40 - 2V / EX 60 / EX 100 RF**  
**OTC® D12000**



Item	Ref.	Code	Description
	166	51850	Circle cutting attachment P 50
	154	51806	Cutting guide P 50
	166-70	51849	Circle cutting attachment P 70 - EX 60
	154-70	51801	Cutting guide P 70 - EX 60
	163	51848	Circle cutting attachment CP-90
	153	51818	Cutting guide CP-90
		51860	Circle cutting attachment EX 100 RF / D12000
		51816	Cutting guide EX 100 RF / D12000
1		51820	Radius bar mm. 250
2		51821	Radius bar mm. 400
3		51826	Magnetic base assembly
4		51827	Free centering straight pin
5		51828	Straight locking pin

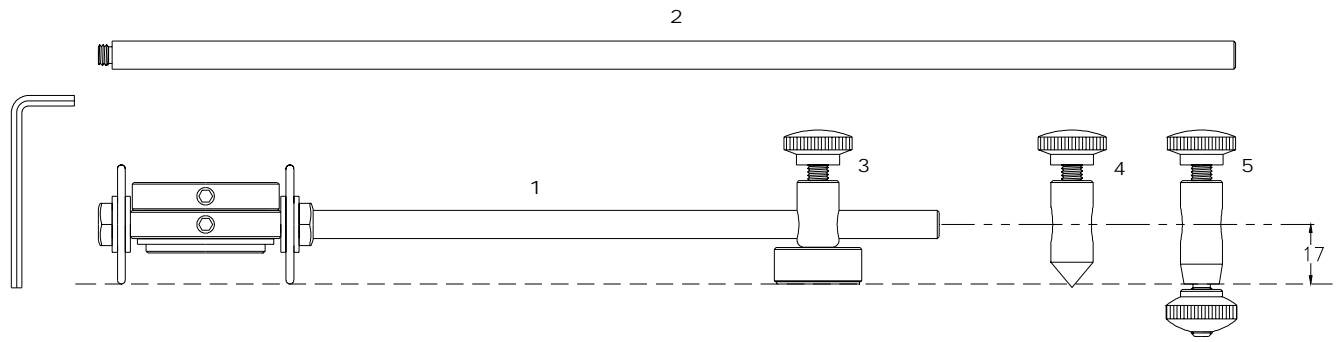
**CEBORA® - PROF 90 / 120 / 150 / CP160**  
**TRAFIMET® - A 90 / 140 / 145 ERGOCUT A 101 / 141 / 151**  
**EWS® - EX 100 / EX 100 M / EX 100 M-3V**



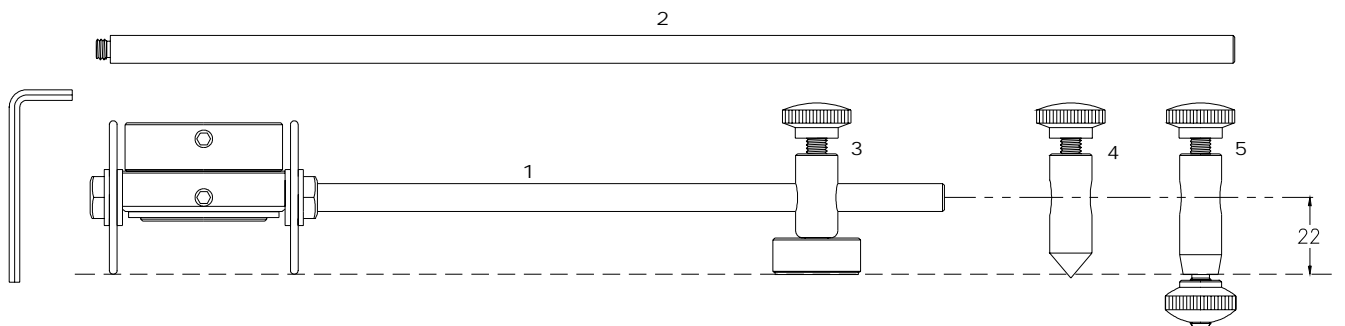
Item	Ref.	Code	Description
	169	51851	Circle cutting attachment
	155	51807	Cutting guide
1		51820	Radius bar mm. 250
2		51821	Radius bar mm. 400
3		51831	Magnetic base assembly
4		51832	Free centering straight pin
5		51833	Straight locking pin

**CIRCLE CUTTING ATTACHMENTS ARE SUPPLIED IN PLASTIC BOXES**

**PLASMA CIRCLE CUTTING ATTACHMENTS SUITABLE FOR**



Item	Code	Description
	51853	Circle cutting attachment for <b>Hypertherm® MAX 40/42/43CS®</b>
	51809	Cutting guide for <b>Hypertherm® MAX 40/42/43CS®</b>
	51865	Circle cutting attachment for <b>Hypertherm® Pmax 600/800/900/1000/1650®</b> and <b>MILLER® ICE-50C/55C</b>
	51804	Cutting guide for <b>Hypertherm® Pmax 600/800/900/1000/1650®</b> and <b>MILLER® ICE-50C/55C</b>
	51854	Circle cutting attachment for <b>BINZEL® PSB 30</b>
	51810	Cutting guide for <b>BINZEL® PSB 30</b>
	51856	Circle cutting attachment for <b>BINZEL® PSB 60/80/121</b>
	51812	Cutting guide for <b>BINZEL® PSB 60/80/121</b>
	51855	Circle cutting attachment for <b>BINZEL® PSB 31 - PSB 31 KK</b>
	51811	Cutting guide for <b>BINZEL® PSB 31 - PSB 31 KK</b>
	51858	Circle cutting attachment for <b>SAF® CP40R / CP100R</b>
	51814	Cutting guide for <b>SAF® CP40R / CP100R</b>
	51861	Circle cutting attachment for <b>TRAFIMET® A53 / S54 / A60 / A80 / A81</b>
	51817	Cutting guide for <b>TRAFIMET® A53 / S54 / A60 / A80 / A81</b>
	51866	Circle cutting attachment for <b>TRAFIMET® S 25 / S 25 K / S 30 / S 35 K / S 45</b>
	51823	Cutting guide for <b>TRAFIMET® S 25 / S 25 K / S 30 / S 35 K / S 45</b>
1	51820	Radius bar mm. 250
2	51821	Radius bar mm. 400
3	51826	Magnetic base assembly
4	51827	Free centering straight pin
5	51828	Straight locking pin

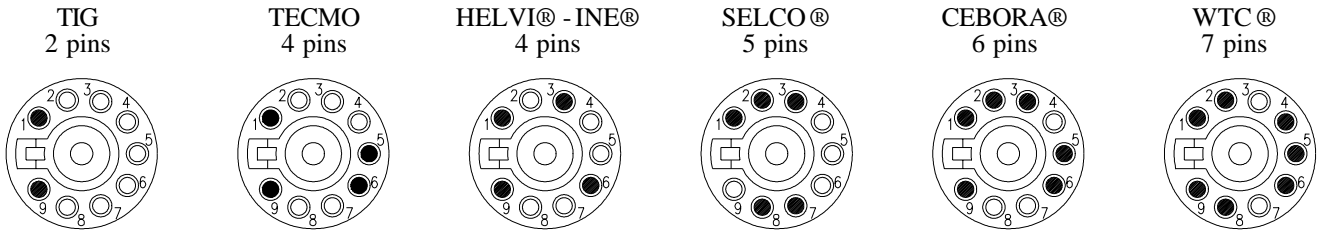
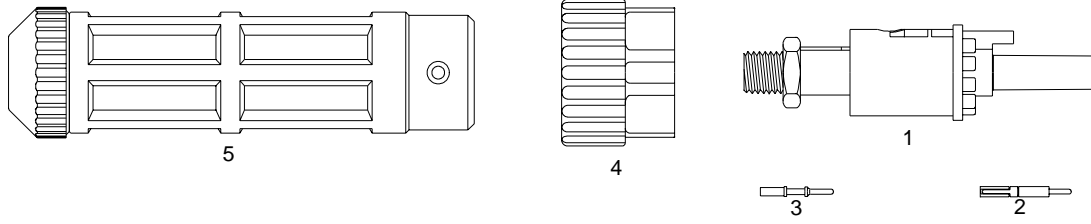


Item	Code	Description
	51852	Circle cutting attachment for <b>Hypertherm® MAX 80/100®</b> and <b>MILLER® ICE-70/100</b>
	51808	Cutting guide for <b>Hypertherm® MAX 80/100®</b> and <b>MILLER® ICE-70/100</b>
1	51820	Radius bar mm. 250
2	51821	Radius bar mm. 400
3	51831	Magnetic base assembly
4	51832	Free centering straight pin
5	51833	Straight locking pin

**CIRCLE CUTTING ATTACHMENTS ARE SUPPLIED IN PLASTIC BOXES**

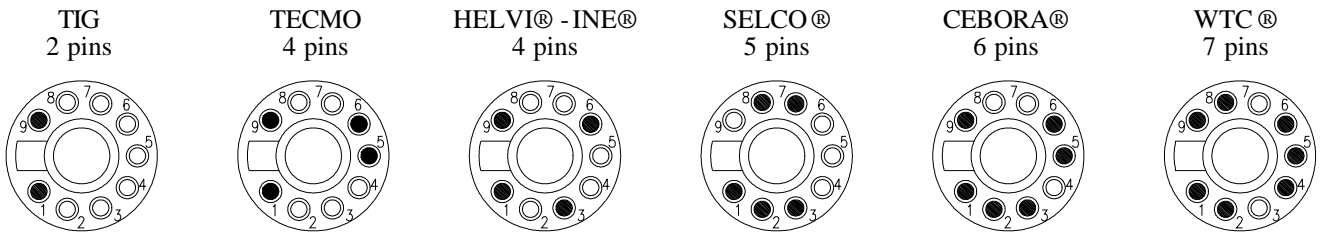
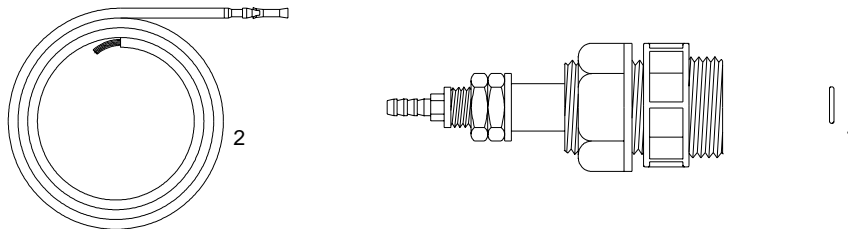
## CENTRAL ADAPTORS

### TORCH SIDE



Item	Code	Description
	04260-TIG	Central adaptor complete 2 pins TIG
	04260	Central adaptor complete 4 pins TEC.MO
	04260-TRA	Central adaptor complete 4 pins HELVI® - INE®
	04260-SEL	Central adaptor complete 5 pins SELCO ®
	04260-CEB	Central adaptor complete 6 pins CEBORA ® (Ref. 3.080.156)
	04260-WTC	Central adaptor complete 7 pins WTC ®
	04260.00	Central adaptor complete without pins
1	04260.10	Adaptor body without pins
2	04260.22	Male/female pin connector, package of 20 pieces
3	04260.23	Contact pin, package of 20 pieces
4	04260.20	Adaptor nut
5	04260.21	Adaptor support

### MACHINE SIDE



Item	Code	Description
	04265-TIG	Central adaptor complete 2 pins TIG
	04265	Central adaptor complete 4 pins TEC.MO
	04265-TRA	Central adaptor complete 4 pins HELVI® - INE®
	04265-SEL	Central adaptor complete 5 pins SELCO ®
	04265-CEB	Central adaptor complete 6 pins CEBORA® (Ref. 3.080.155)
	04265-WTC	Central adaptor complete 7 pins WTC ®
	04265.00	Central adaptor complete without pins
1	04265.20	O - Ring, package of 20 pieces
2	04265.21	Contact pin with black lead 1 mmq x 500 mm, package of 10 pcs
	04265.22	Contact pin with red lead 1 mmq x 500 mm, package of 10 pcs
	04265.23	Contact pin with blue lead 1 mmq x 500 mm, package of 10 pcs